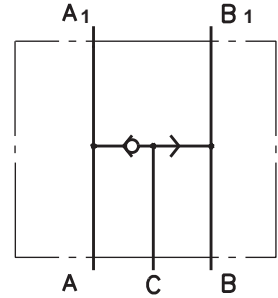


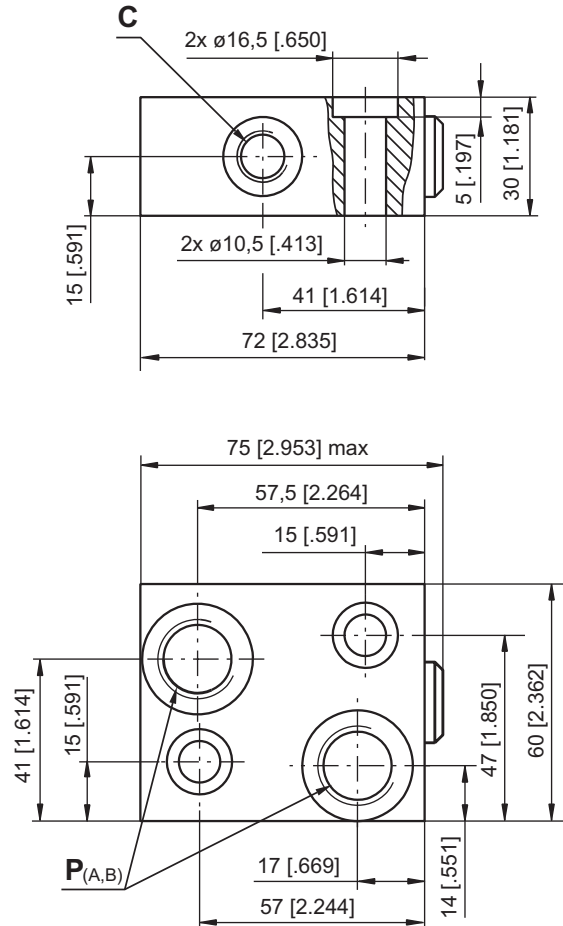
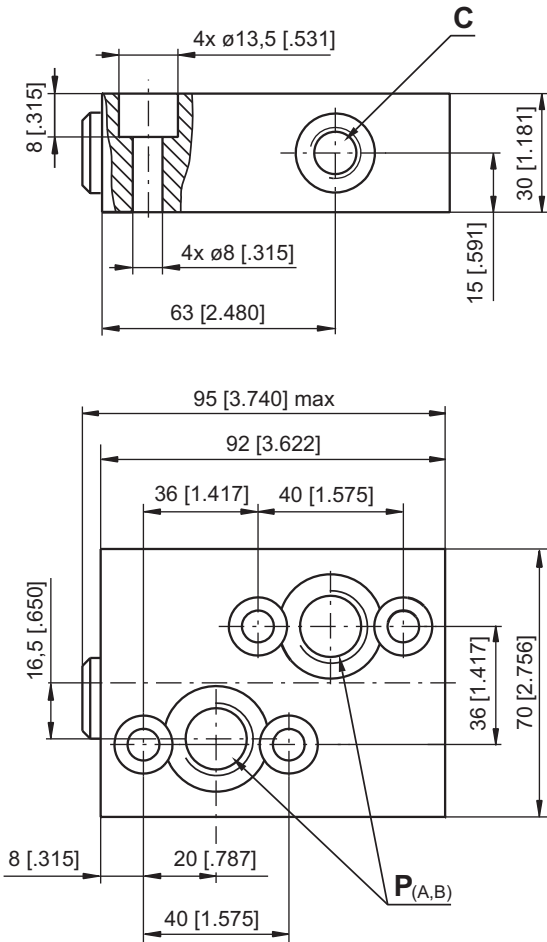
SPECIFICATION DATA

Parameters	Type	
	KPWR	KPWS
Flow Rate , l/min [GPM]	60	[15.85]
Rated Pressure , bar [PSI]	250	[3625]
Weight , kg	0,850	0,670
[lb]	[1.874]	[1.477]



**VALVE FOR MP, MR, MH HYDRAULIC MOTORS
KPWR**

**VALVE FOR MS HYDRAULIC MOTORS
KPWS**



	Thread Ports - P _(A,B)	Thread Port - C
-	G1/2 17 [6.7] depth	G1/4 14 [5.5] depth
M	M22x1,5 17 [6.7] depth	M14x1,5 14 [5.5] depth
A	7/8 - 14 UNF O-ring 17 [6.7] depth	7/16 - 20 UNF O-ring 12,7 [5.0] depth



Note : KPWR Blocks are installed directly on MP, MR and MH Motors with four screws M8x35 - 8.8 DIN 912 or 5/16-18UNC, 1.5 long ANSI B 18.3 . Tightening torque 2,0^{+0.5} daNm [177⁺⁴⁴ lb-in].

KPWS Blocks are installed directly on MS Motors with two screws M10x35 - 8.8 DIN 912 or 3/8-16UNC, 1.5 long ANSI B 18.3 . Tightening torque 3,5 daNm [336 lb-in].

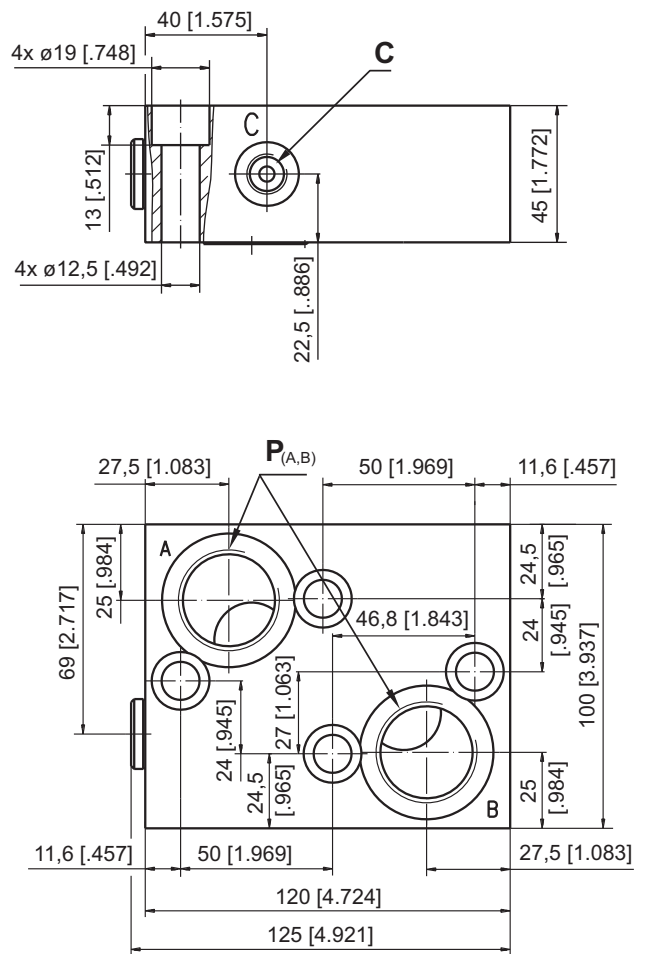
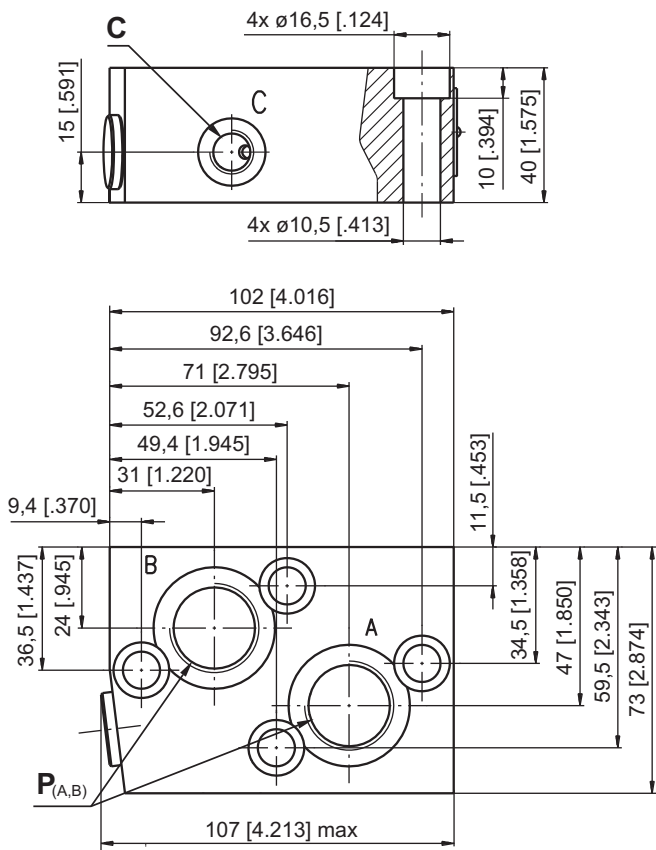
SWITCH VALVE (continued)

SPECIFICATION DATA

Parameters	Type	
	KPWT	KPWW
Flow Rate , l/min [GPM]	100 [26.4]	200 [52.8]
Rated Pressure , bar [PSI]	250	[3625]
Weight , kg [lb]	1,800 [3.968]	3,150 [6.945]

**VALVE FOR MT HYDRAULIC MOTORS
KPWT**

**VALVE FOR MV HYDRAULIC MOTORS
KPWW**



	Thread Ports - P _(A,B)	Thread Port - C
-	G3/4 17 [.67] depth	G1/4 14 [.55] depth
M	M27x2 17 [.67] depth	M14x1,5 14 [.55] depth
A	1 1/16-12 UN O-ring 17 [.67] depth	7/16 - 20 UNF O-ring 12,7 [.50] depth



	Thread Ports - P _(A,B)	Thread Port - C
-	G 1 20 [.79] depth	G1/4 14 [.55] depth
M	M33x2 20 [.79] depth	M14x1,5 14 [.55] depth
A	1 5/16 - 12 UN O-ring 20 [.79] depth	7/16 - 20 UNF O-ring 12,7 [.50] depth

Note : KPWT Blocks are installed directly on MT Motors with four screws M10x40 - 8.8 DIN 912.

Tightening torque 3,5 daNm [336 lb-in].

KPWW Blocks are installed directly on MV Motors with four screws M12x45 - 8.8 DIN 912.

Tightening torque 6,5 daNm [425 lb-in].