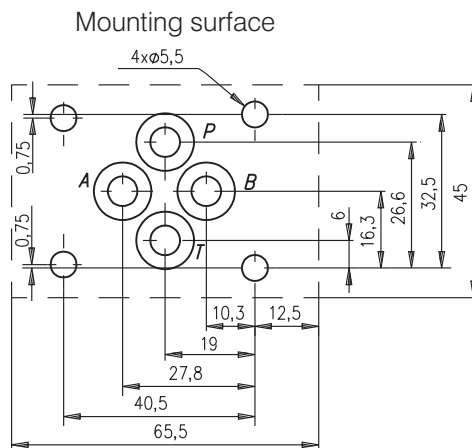
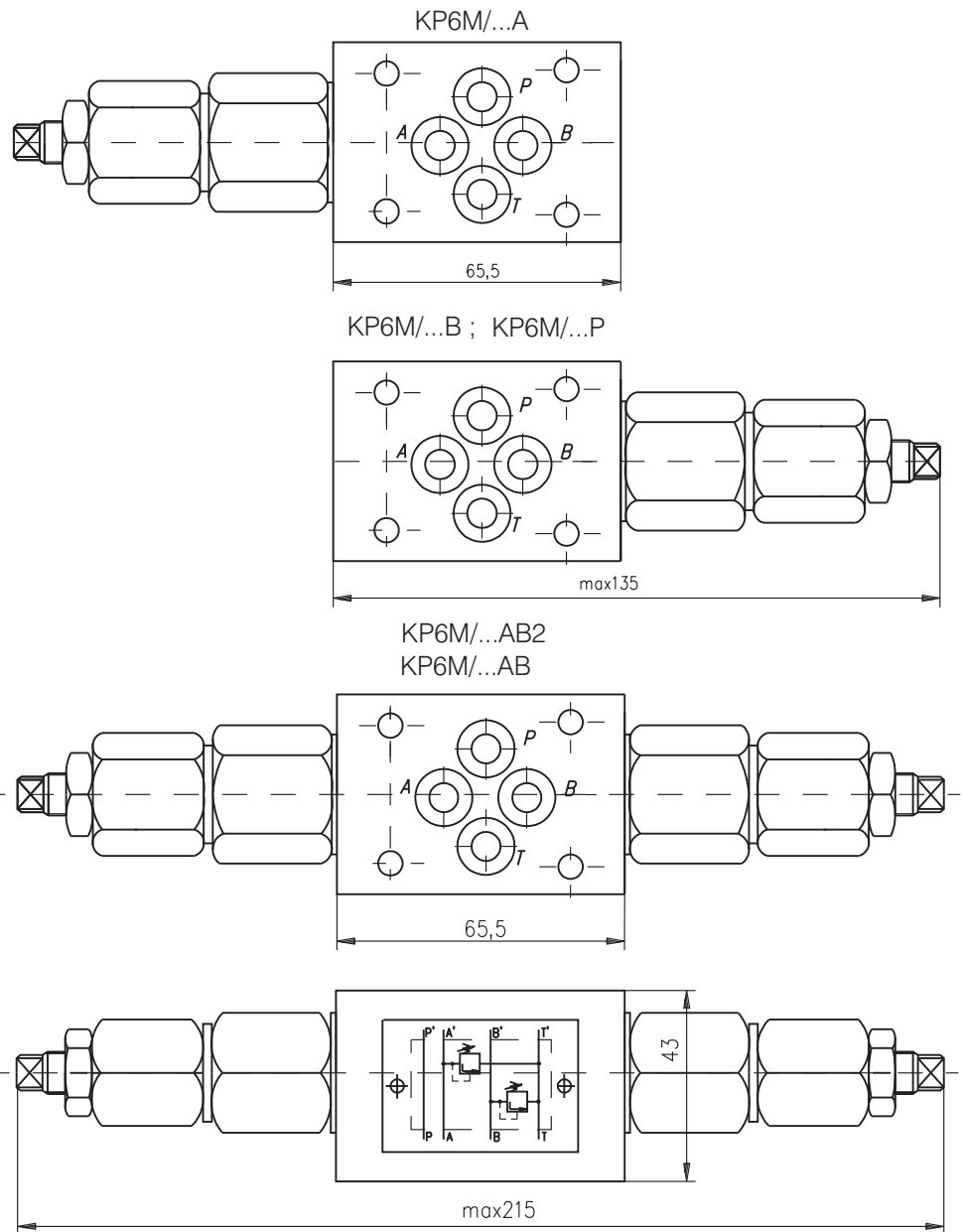


CONTENTS:	Page
Relief valves:	
KP6M/...	1&2
KP10M/...	3&4
Relief valves-prefill type:	
KPP..10/...	5&6
Unloading relief valves:	
KPR-10/...P	7
Pressure reducing valves:	
KRT6M/...	8&9
KR10M/...P	10
KRT10P/...	11
Check valves:	
KO6M/32-...	12
KO10M/32-...	13
KO-...	14
Pilot operated check valves:	
KOHU6M/32-...	15
KOHU10M/32-...	16
KOHU...	17
KOHU...-S	18
KOHU...-E...	19
KOHU...-SA	20
KOHU16P	21
"Overcenter" valves with internal pilot operation:	
OWC-...E/L...	22
OWC6M/25...	23
OWC10M/25...	24
Throttles check valves:	
DROK6M/32...	25
DROK10M/32...	26
DROK...T/32-...	27
DROK...T/25	28
DROK16P	29
DROK-...	30
Adjustable throttles:	
DR6M/32...	31
DR10M/32...	32
DR...	33
Flow control valves:	
RD6/2M...	34&35
RD6/2P..	36
RD../2...	37&38
RD10/3T	39
Hose burst check valves:	
HC870-...	40
Dividing and combining valves:	
KDS-...	41
FDC.....-...	42
Valve applications	
Hydraulic power packs	43&44
Hydraulic control blocks	45&46

DESCRIPTION

- ✓ Pressure relief valve with pilot operation.
- ✓ Adjustment of the pressure range at line A to T: KP6M/10A , KP6M/20A , KP6M/32A.
- ✓ Adjustment of the pressure range at line B to T: KP6M/10B , KP6M/20B , KP6M/32B.
- ✓ Adjustment of the pressure range at line P to T: KP6M/10P , KP6M/20P , KP6M/32P.
- ✓ Adjustment of the pressure range at line A&B to T: KP6M/10AB , KP6M/20AB , KP6M/32AB.
- ✓ Adjustment of the pressure range at line A to B&B to A: KP6M/10A , KP6M/20A , KP6M/32A.
- ✓ The pressure relief valve protects the hydraulic drives of overloading or damaging by limiting or maintaining a constant pressure. There is a possibility for the pressure range adjustment at a definite range.
- ✓ Mounting surface CETOP3 ; NG6

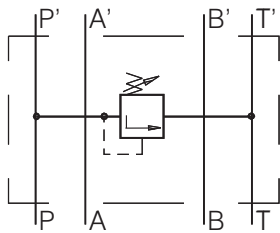
DIMENSIONS



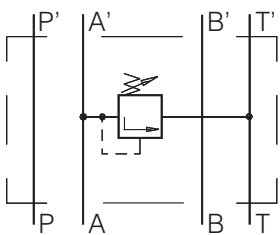
RELIEF VALVES

KP6M/...

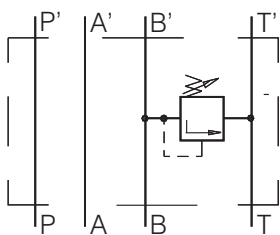
SYMBOL



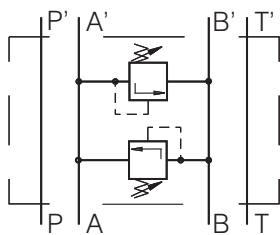
KP6M/...P



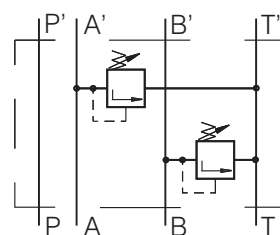
KP6M/...A



KP6M/...B



KP6M/...AB2



KP6M/...AB

ORDERING CODE

KP 6 M / *** - ***

Relief valve

Nominal bore 6mm.

Modular mounting

Rated pressure: up to 100 bar.-10
up to 200 bar.-20
up to 320 bar.-32

Function: at line A to T - A
at line B to T - B
at line P to T - P
at line A and B to T - AB
at line A to B & at B to A - AB2

TECHNICAL DATA

Weight	with one relief valve with two relief valves	1,150kg 1,400 kg
Rated flow ($\Delta p=2,5$ bar.)		20 l/min
Adjustment of pressure range:		
KP6M/10P , KP6M/10A , KP6M/10B , KP6M/10AB , KP6M10AB2		5...100 bar
KP6M/20P , KP6M/20A , KP6M/20B , KP6M/20AB , KP6M20AB2		15...200 bar
KP6M/32P , KP6M/32A , KP6M/32B , KP6M/32AB , KP6M32AB2		20...300 bar
Working liquid-hydraulic oils with characteristics:		
-viscosity		10...400 cSt
-degree of filtration		0,025 mm
-temperature		-20...+80°C

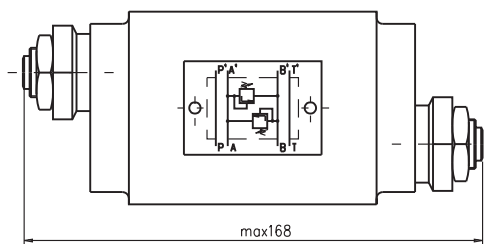
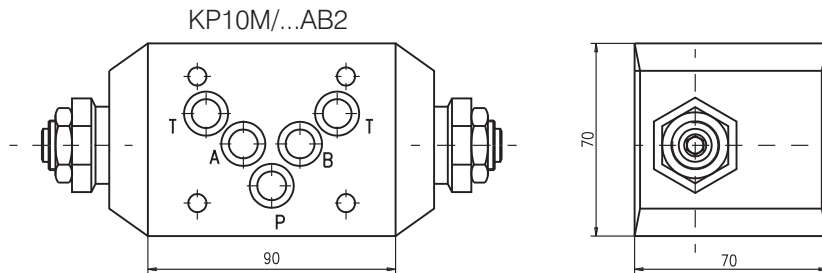
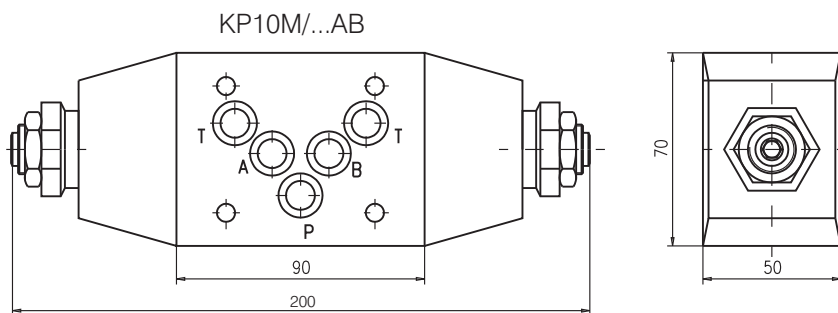
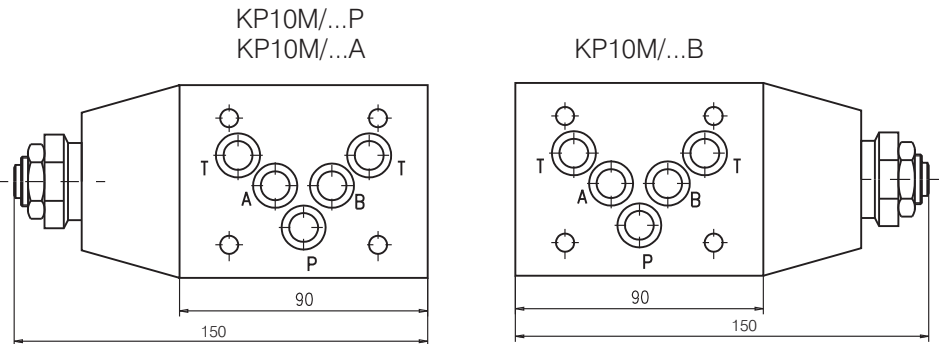
RELIEF VALVES

KP10M/...

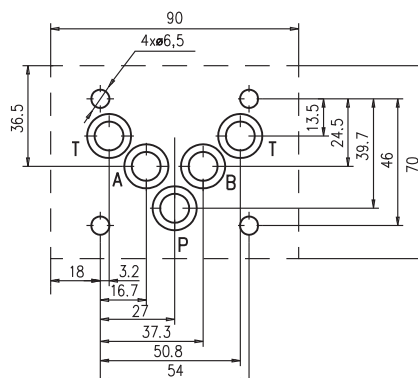
DESCRIPTION

- ✓ Pressure relief valve with pilot operation.
- ✓ Adjustment of the pressure range at line A to T: KP10M/10A , KP10M/20A, KP10M/32A.
- ✓ Adjustment of the pressure range at line B to T: KP10M/10B , KP10M/20B, KP10M/32B.
- ✓ Adjustment of the pressure range at line P to T: KP10M/10P , KP10M/20P, KP10M/32P.
- ✓ Adjustment of the pressure range at line A&B to T: KP10M/10AB , KP10M/20AB , KP10M/32AB.
- ✓ Adjustment of the pressure range at line A to B&B to A: KP10M/10A , KP10M/20A , KP10M/32A.
- ✓ The pressure relief valve protects the hydraulic drives of overloading or damaging by limiting or maintaining a constant pressure. There is a possibility for the pressure range adjustment at a definite range.
- ✓ Mounting surface CETOP5 ; NG10

DIMENSIONS



Mounting surface

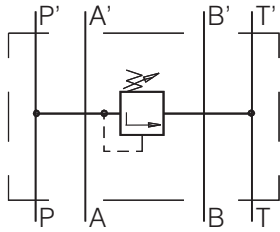


RELIEF VALVES

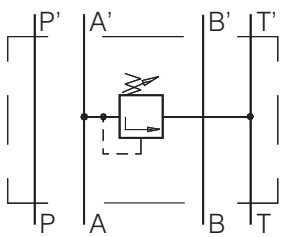
KP10M/...

SYMBOL

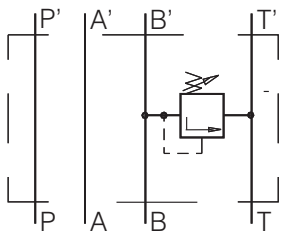
ORDERING CODE



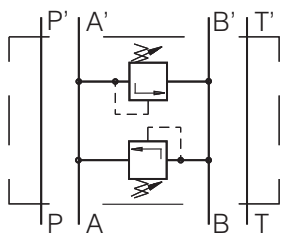
KP10M/...P



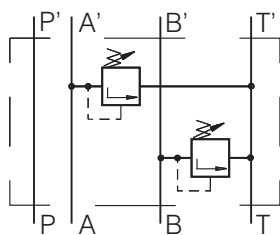
KP10M/...A



KP10M/...B



KP10M/...AB2



KP10M/...AB

KP	10	M	/	***	-	***
----	----	---	---	-----	---	-----

Relief valve

Nominal bore 10mm.

Modular mounting

Rated pressure: up to 100 bar.-10
 up to 200 bar.-20
 up to 320 bar.-32

Function: at line A to T - A
 at line B to T - B
 at line P to T - P
 at line A and B to T - AB
 at line A to B & at B to A - AB2

TECHNICAL DATA

Weight	with one relief valve with two relief valves	2,700kg 3,050 kg
Rated flow ($\Delta p=2,5$ bar.)		40 l/min
Adjustment of pressure range:		
KP10M/10P , KP10M/10A , KP10M/10B , KP10M/10AB , KP10M10AB2		5...100 bar
KP10M/20P , KP10M/20A , KP10M/20B , KP10M/20AB , KP10M20AB2		15...200 bar
KP10M/32P , KP10M/32A , KP10M/32B , KP10M/32AB , KP10M32AB2		20...320 bar
Working liquid-hydraulic oils with characteristics:		
	-viscosity	10...400 cSt
	-degree of filtration	0,025 mm
	-temperature	-20...+80°C

RELIEF VALVES-PREFILL TYPE

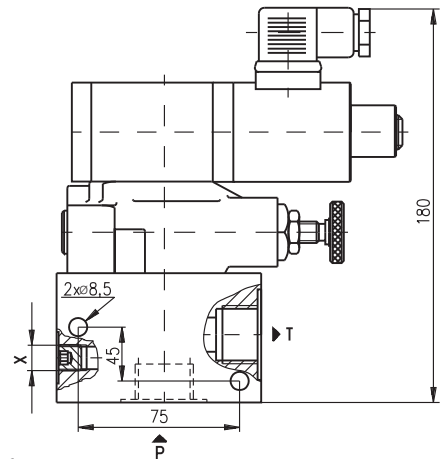
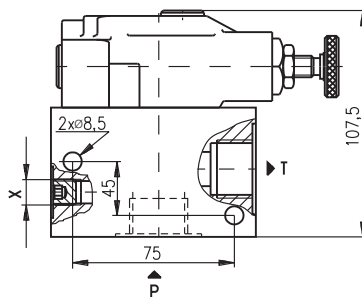
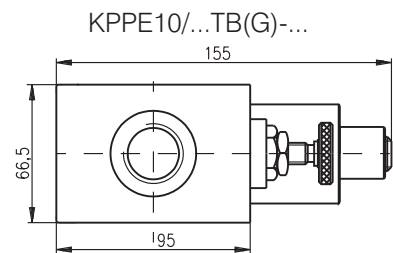
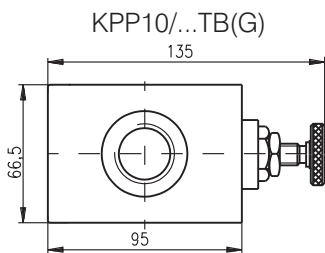
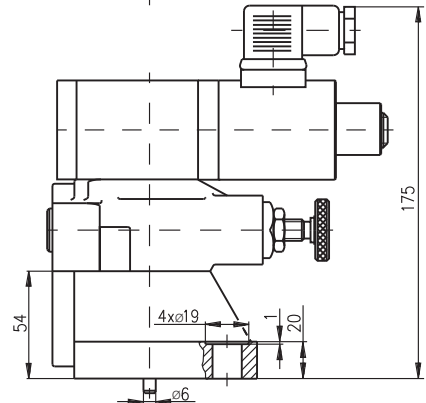
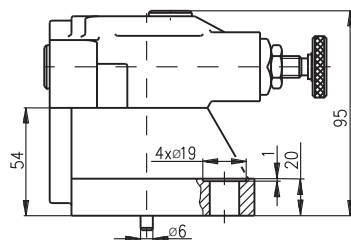
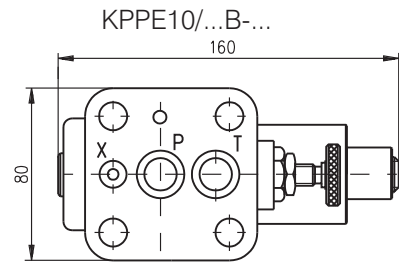
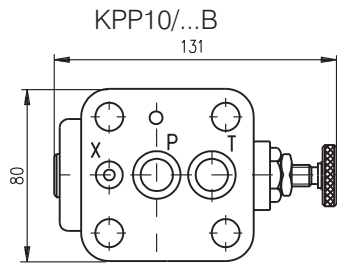
KPP...10/...

DESCRIPTION

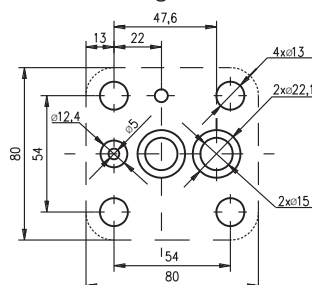
- ✓ Pressure relief valves-prefill type for plate mounting-KPP10/...B , KPPE10/...B-...
- ✓ Pressure relief valves-prefill type for pipe and plate mounting with pilot operation-KPP10/...B , KPP...10/...TB(G).
- ✓ Pressure relief valves-prefill type for pipe and plate mounting with pilot solenoid operation - KPPE10/...B-... , KPPE...10/...TB(G)-...
- ✓ The pressure relief valve protects the hydraulic drives of overloading or damaging by limiting or maintaining a constant pressure. There is a possibility for pressure range adjustment and they allow such an action even during work.

The unloading relief valve can be used when the system pressure is required to be automatically unloaded at reaching the adjusted pressure.

DIMENSIONS



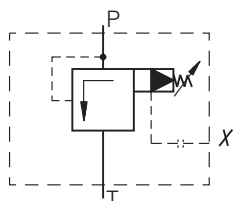
Mounting surface



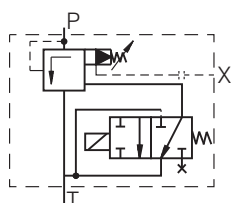
RELIEF VALVES-PREFILL TYPE

KPP..10/...

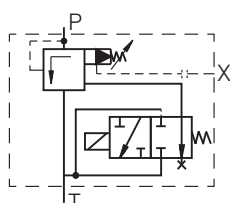
SYMBOL



KPP10/...B
KPP10/...TB



KPPE10/...B-NO
KPPE10/...TB-NO
(normally open)



KPPE10/...B-NZ
KPPE10/...TB-NZ
(normally closed)

ORDERING CODE

KPP *** 10 / *** ** - *** **

Relief valve prefill type

Type of control:
pilot operated -omit
pilot solenoid operated -E

Nominal bore 10mm.

Rated pressure: up to 100 bar.-10
 up to 200 bar.-20
 up to 320 bar.-32

Modification: for plate mounting -B
 for pipe mounting(metric threads M27x1,5
 for P & T line and M12x1,5 for X line) -TB
 for pipe mounting(GAS threads G3/4"
 for P&T line and G1/4" for X line -TB(G)

Type of control valve:
 solenoid valve normally open -NO
 solenoid valve normally closed -NZ

Supply voltage	12VDC	-12
	24VDC	-24
	110VAC	-110
	220VAC	-220

TECHNICAL DATA

Weight	KPP10/...B	2,890 kg
	KPPE10/...B-...	4,600 kg
	KPP10/...TB	4,490 kg
	KPPE10/...TB-...	6,200 kg
Max. pressure		320 bar
Rated flow ($\Delta p=2,5$ bar.)		160 l/min
Adjustment of pressure range:		
KPP10/10B , KPP10/10TB(G)		4...100 bar
KPP10/20B , KPP10/20TB(G)		10...200 bar
KPP10/32B , KPP10/32TB(G)		20...320 bar
KPPE10/10B-... , KPPE10/10TB(G)-...		4...100 bar
KPPE10/20B-... , KPPE10/20TB(G)-...		10...200 bar
KPPE10/32B-... , KPPE10/32TB(G)-...		20...320 bar
Working liquid-hydraulic oils with characteristics:		
	-viscosity	10...400 cSt
	-degree of filtration	0,025 mm
	-temperature	-20...+80°C

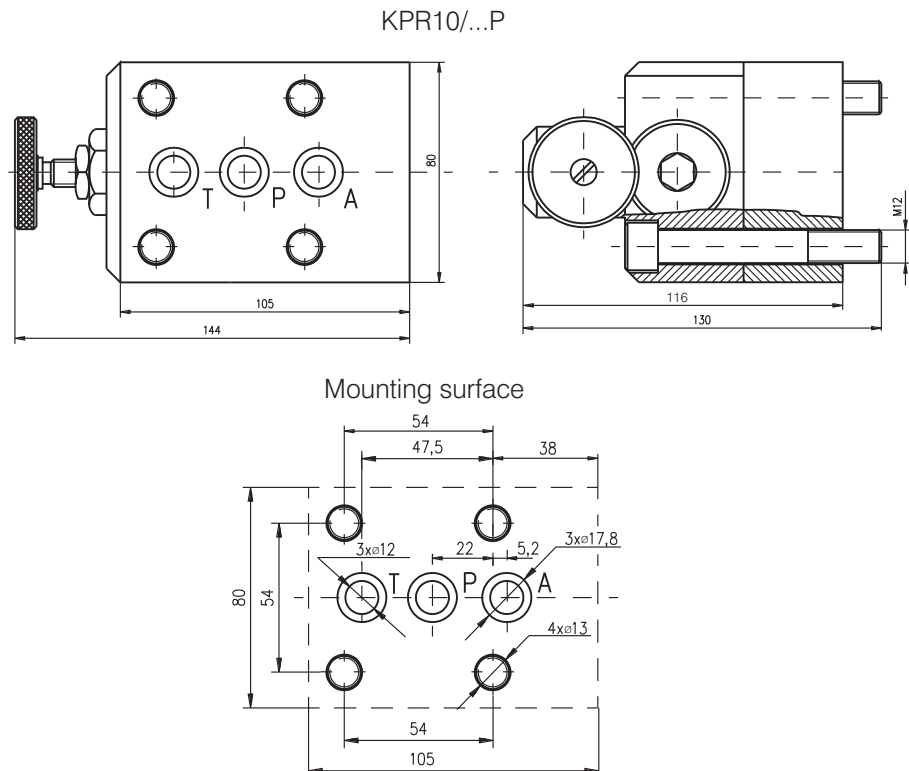
UNLOADING RELIEF VALVES

KPR-10/...P

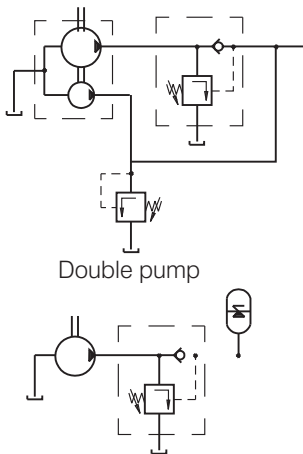
DESCRIPTION

- ✓ Unloading relief valves for plate mounting-KPR-10/...P
- ✓ Unloading relief valves are designed to switch on or switch off automatically the pump in the hydraulic system, depending on the pressure range at the pressure line (at the point after the check valve).

DIMENSIONS



APPLICATIONS



Single pump / accumulator system

ORDERING CODE

KPR - 10 / *** P

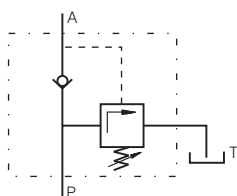
Unloading relief valve

Nominal bore 10mm.

Rated pressure: up to 63 bar.-6,3
up to 160 bar.-16

Valve position - at line P

SYMBOL



TECHNICAL DATA

Weight		5,440 kg
Max. unloading pressure	KPR-10/6,3P	63 bar
	KPR-10/16P	160 bar
Rated flow ($\Delta p=2,5$ bar.)		40 l/min
Working liquid-hydraulic oils with characteristics:		
-viscosity		10...400 cSt
-degree of filtration		0,025 mm
-temperature		-20...+80°C

PRESSURE REDUCING VALVES

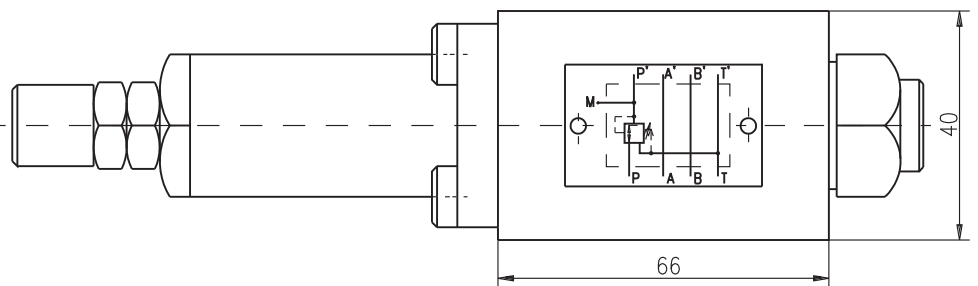
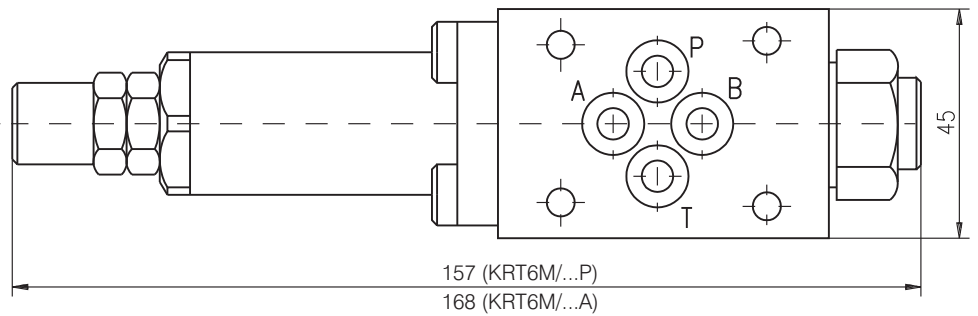
KRT6M/...

DESCRIPTION

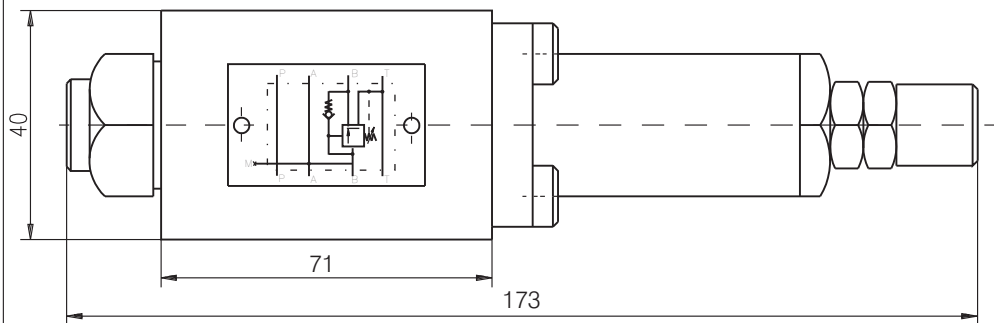
- ✓ Pressure reducing valves for modular mounting-KRT6M/...
- ✓ The pressure reducing valves are used to limit the pressure in the separate sections of the hydraulic systems where constant pressure is achieved (at element outlet) lower than the inlet pressure and independent of its changing.
- ✓ Mounting surface CETOP3 ; NG6

DIMENSIONS

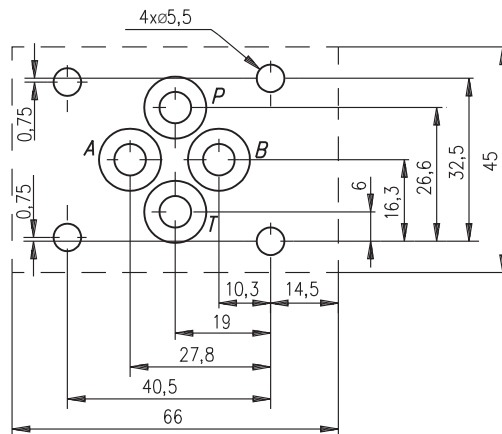
KRT6M/...P (KRT6M/...A)



KRT6M/...B



Mounting surface

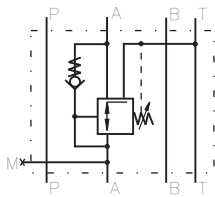


PRESSURE REDUCING VALVES

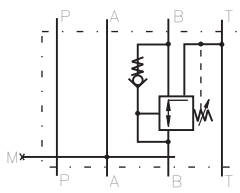
KRT6M/...

SYMBOL

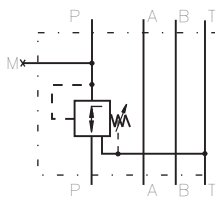
ORDERING CODE



KRT6M/10A



KRT6M/10B



KRT6M/...P

KRT 6 M / *** **

Pressure reducing valve

Nominal bore 6mm.

Modular mounting

Rated pressure: up to 16 bar.-1,6
up to 100 bar.-10

Function - at line P to P' - P
at line A' to A - A
at line B' to B - B

TECHNICAL DATA

Weight	1,165 kg
Max. Pressure	100 bar
Rated flow ($\Delta p=2,5$ bar.)	20 l/min
Adjustment of pressure reducing range:	
KRT6M/10P	Pr(P to P') 10...100 bar Pr(P to T) 20...100 bar
KRT6M/1,6P	Pr(to P') 0,8...16 bar Pr(P to T) 3...16 bar
KRT6M/10A	Pr(A' to A) 10...100 bar Pr(A to T) 20...100 bar
KRT6M/10B	Pr(B' to B) 10...100 bar Pr(B to T) 20...100 bar
Working liquid-hydraulic oils with characteristics:	
-viscosity	10...400 cSt
-degree of filtration	0,025 mm
-temperature	-20...+80°C

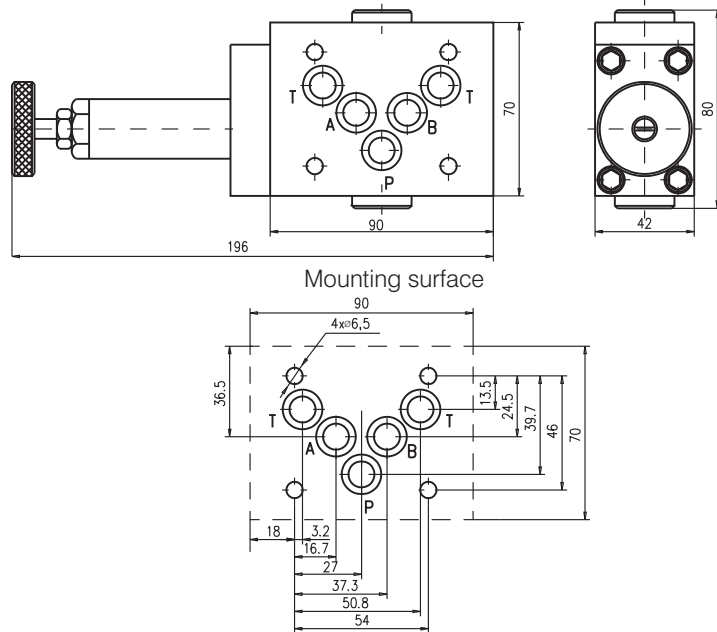
PRESSURE REDUCING VALVES

KR10M/...P

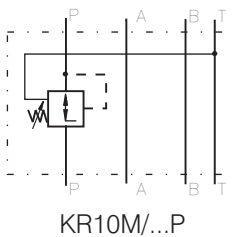
DESCRIPTION

- ✓ Pressure reducing valves for modular mounting-KR10M/...P
- ✓ The pressure reducing valves are used to limit the pressure in the separate sections of the hydraulic systems where constant pressure is achieved (at element outlet) lower than the inlet pressure and independent of its changing.
- ✓ Mounting surface CETOP5 ; NG10

DIMENSIONS



SYMBOL



KR10M/...P

ORDERING CODE

KR 10 M / * P**

Pressure reducing valve
 Nominal bore 10mm.
 Modular mounting
 Rated pressure: up to 100 bar.-10
 up to 200 bar.-20
 up to 200 bar.-32
 Function - at line P to P'-P

TECHNICAL DATA

Weight	1,165 kg
Max. Pressure	320 bar
Rated flow ($\Delta p=2,5$ bar.)	40 l/min
Adjustment of pressure reducing range:	
KR10M/10P	Pr(P>P') 3...100 bar
KR10M/20P	Pr(P>P') 10...200 bar
KRT10M/32P	Pr(P>P') 20...320 bar
Working liquid-hydraulic oils with characteristics:	
-viscosity	10...400 cSt
-degree of filtration	0,025 mm
-temperature	-20...+80°C

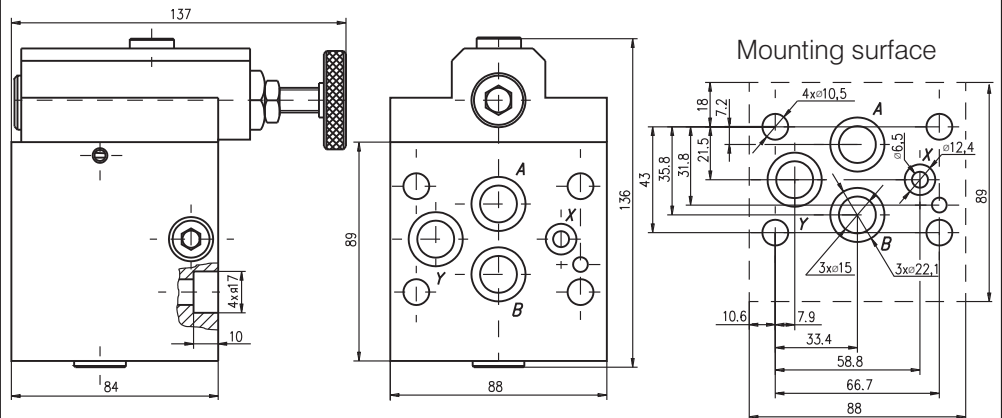
PRESSURE REDUCING VALVES

KRT10P/...

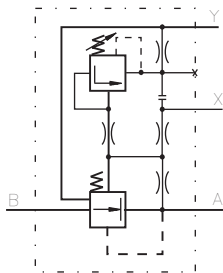
DESCRIPTION

- ✓ Pressure reducing valves for plate mounting-KRT10/...
- ✓ The pressure reducing valves are used to limit the pressure in the separate sections of the hydraulic systems where constant pressure is achieved (at element outlet) lower than the inlet pressure and independent of its changing.

DIMENSIONS



SYMBOL



KRT10P/...

ORDERING CODE

KRT 10 P / ***

Pressure reducing valve

Nominal bore 10mm.

Plate mounting

Rated pressure: up to 100 bar.-10
 up to 200 bar.-20
 up to 320 bar.-32

TECHNICAL DATA

Weight	5,470 kg
Max. Pressure	320 bar
Rated flow ($\Delta p=2,5$ bar.)	60 l/min
Adjustment of pressure reducing range:	
KRT10P/10	Pr(A>Y) 12...100
	Pr(B>A) 8...100
KRT10P/20	Pr(A>Y) 15...200
	Pr(B>A) 8...200
KRT10P/32	Pr(A>Y) 18...320
	Pr(B>A) 8...320
Working liquid-hydraulic oils with characteristics:	
-viscosity	10...400 cSt
-degree of filtration	0,025 mm
-temperature	-20...+80°C

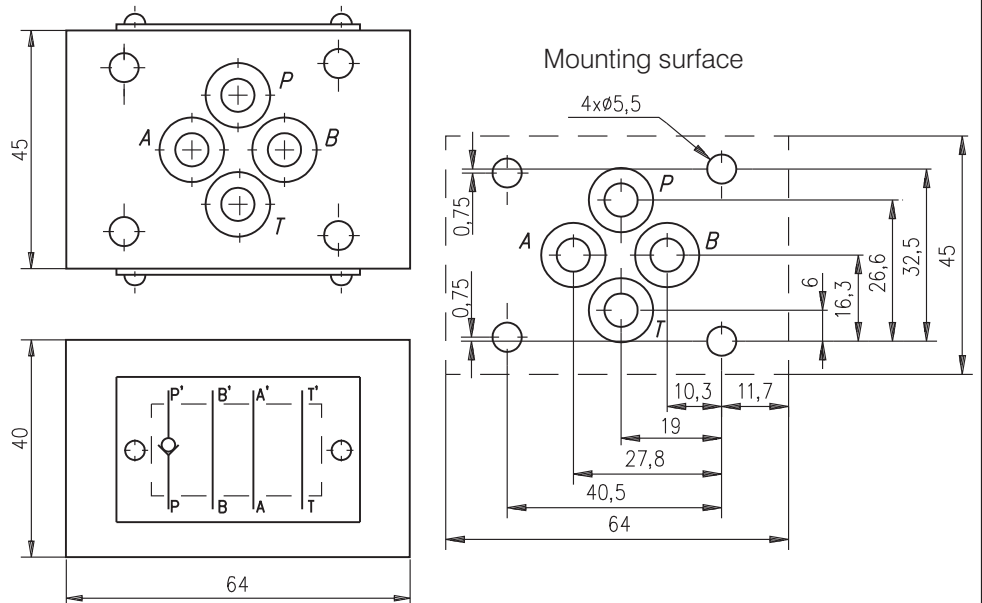
CHECK VALVES

KO6M/32...

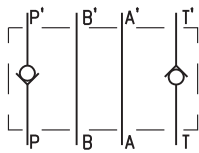
DESCRIPTION

- ✓ Check valves for modular mounting-KO6M/32...
- ✓ Check valves give leak free closure in one direction and allow free passing in the other.
- ✓ Mounting surface CETOP3 ; NG6

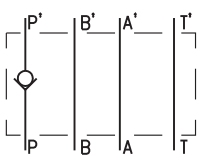
DIMENSIONS



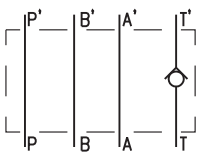
SYMBOL



KO6M/32PT



KO6M/32P



KO6M/32T

ORDERING CODE

KO 6 M / 32 ***

Check valve

Nominal bore 6mm.

Modular mounting

Rated pressure: up to 320 bar.-32

Function

- at line P to P' - P

- at line T' to T - T

- at line P to P'&T' to T - PT

TECHNICAL DATA

Weight	0,800 kg
Max. Pressure	320 bar
Rated flow ($\Delta p=5$ bar.)	20 l/min
Cracking pressure	0,5 bar
Working liquid-hydraulic oils with characteristics:	
-viscosity	10...400 cSt
-degree of filtration	0,025 mm
-temperature	-20...+80°C

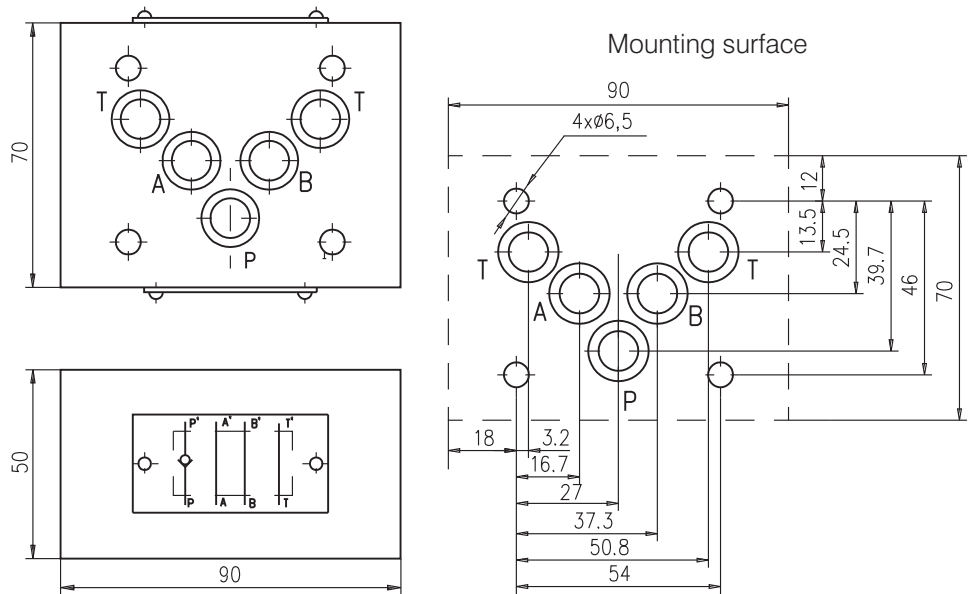
CHECK VALVES

KO10M/32...

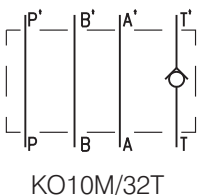
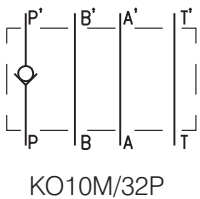
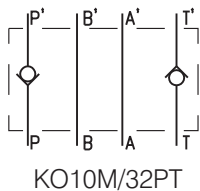
DESCRIPTION

- ✓ Check valves for modular mounting-KO10M/32...
- ✓ Check valves give leak free closure in one direction and allow free passing in the other.
- ✓ Mounting surface CETOP5 ; NG10

DIMENSIONS



SYMBOL



ORDERING CODE

KO 10 M / 32 ***

Check valve

Nominal bore 10mm.

Modular mounting

Rated pressure: up to 320 bar.-32

Function

- at line P to P' - P

- at line T' to T - T

- at line P to P' & T' to T - PT

TECHNICAL DATA

Weight	2,300 kg
Max. Pressure	320 bar
Rated flow ($\Delta p=5$ bar.)	40 l/min
Cracking pressure	0,8 bar
Working liquid-hydraulic oils with characteristics:	
-viscosity	10...400 cSt
-degree of filtration	0,025 mm
-temperature	-20...+80°C

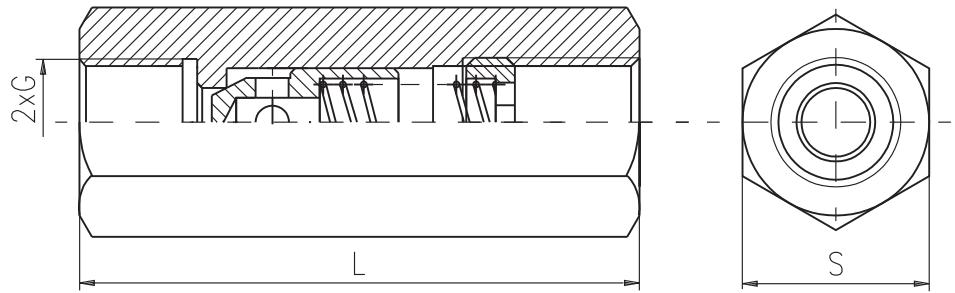
CHECK VALVES

KO-...

DESCRIPTION

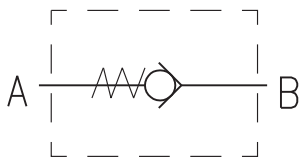
- ✓ Check valves for pipe mounting-KO-...
- ✓ Check valves give leak free closure in one direction and allow free flow in the other.

DIMENSIONS



G	1/8	1/4	3/8	1/2	3/4	1
L(mm)	38	56	65	68	80	100
S(mm)	14	19	24	27	36	46

SYMBOL



KO-...

ORDERING CODE

KO - *** - ***

Check valve

Mounting thread:

G1/8 -1/8

G1/4 -1/4

G3/8 -3/8

G1/2 -1/2

G3/4 -3/4

G1 -1

Cracking pressure - (bar.) see table below

TECHNICAL DATA

Max. Pressure		320 bar
Rated flow ($\Delta p=5$ bar.)	-1/8	10 l/min
	-1/4	20 l/min
	-3/8	40 l/min
	-1/2	60 l/min
	-3/4	90 l/min
	-1	120 l/min
Cracking pressure	-1/8	1 bar
	-1/4	1 bar
	-3/8	0,5 bar
	-1/2	0,6 bar
	-3/4	0,4 bar
	-1	1,2 bar
Working liquid-hydraulic oils with characteristics:		
-viscosity		10...400 cSt
-degree of filtration		0,025 mm
-temperature		-20... +80°C

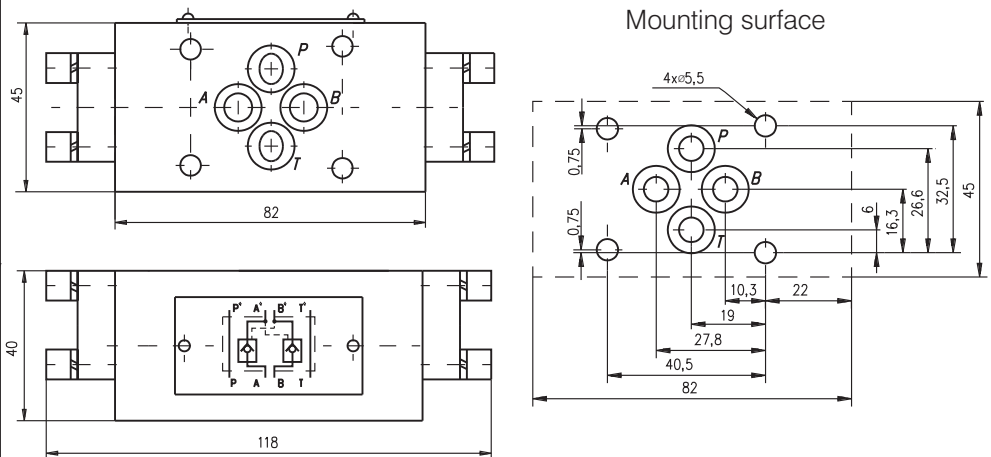
PILOT OPERATED CHECK VALVES

KOHU6M/32-...

DESCRIPTION

- ✓ Check valves with hydraulic operation for modular mounting-KOHU6M/32-...
- ✓ Hydraulically operated check valve is designed to allow working liquid passing in one direction freely (A' to A , B' to B) and at availability of control signal in the opposite direction (A to A' , B to B'). The valve ensures hydraulic "locking" of the hydraulic cylinders , i.e. Provides their stability under load at neutral position of the directional control valve.
- ✓ Mounting surface CETOP3 ; NG6

DIMENSIONS



ORDERING CODE

KOHU	6	M	/	32	-	2	*	*	*
------	---	---	---	----	---	---	---	---	---

Check valve with hydraulic operation

Nominal bore 6mm.

Modular mounting

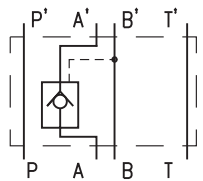
Rated pressure: up to 320 bar.-32

Modification

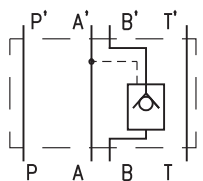
Valve position:

- at line A - A
- at line B - B
- at line A and B - C

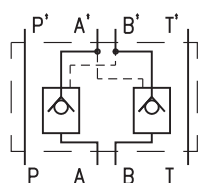
SYMBOL



KOHU6M/32-2A



KOHU6M/32-2B



KOHU6M/32-2C

TECHNICAL DATA

Max. Pressure	320 bar
Rated flow ($\Delta p=2,5$ bar.)	20 l/min
Cracking pressure (for check valve)	0,7 bar
Area ratio A1/A2(check valve/piston)	1/2
Working liquid-hydraulic oils with characteristics:	
-viscosity	10...400 cSt
-degree of filtration	0,025 mm
-temperature	-20...+80°C

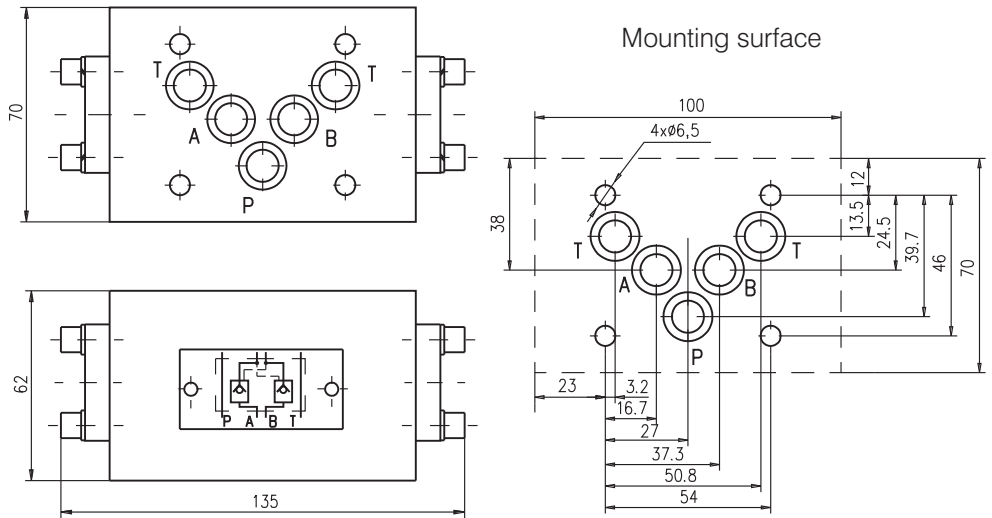
PILOT OPERATED CHECK VALVES

KOHU10M/32-...

DESCRIPTION

- ✓ Check valves with hydraulic operation for modular mounting-KOHU10M/32-...
- ✓ Hydraulically operated check valve is designed to allow working liquid passing in one direction freely (A' to A, B' to B) and at availability of control signal in the opposite direction (A to A', B to B'). The valve ensures hydraulic "locking" of the hydraulic cylinders, i.e. Provides their stability under load at neutral position of the directional control valve.
- ✓ Mounting surface CETOP5 ; NG10

DIMENSIONS



ORDERING CODE

KOHU 10 M / 32 - 2 ***

Check valve with hydraulic operation

Nominal bore 10mm.

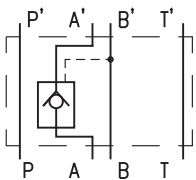
Modular mounting

Rated pressure: up to 320 bar.-32

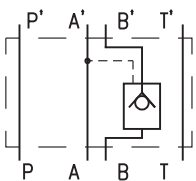
Modification

Valve position: at line A - A
at line B - B
at line A and B - C

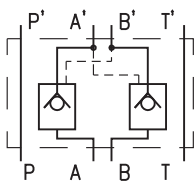
SYMBOL



KOHU10M/32-2A



KOHU10M/32-2B



KOHU10M/32-2C

TECHNICAL DATA

Max. Pressure	320 bar
Rated flow ($\Delta p=2,5$ bar.)	40 l/min
Cracking pressure (for check valve)	0,5 bar
Area ratio A1/A2(check valve/piston)	1/2
Working liquid-hydraulic oils with characteristics:	
-viscosity	10...400 cSt
-degree of filtration	0,025 mm
-temperature	-20...+80°C

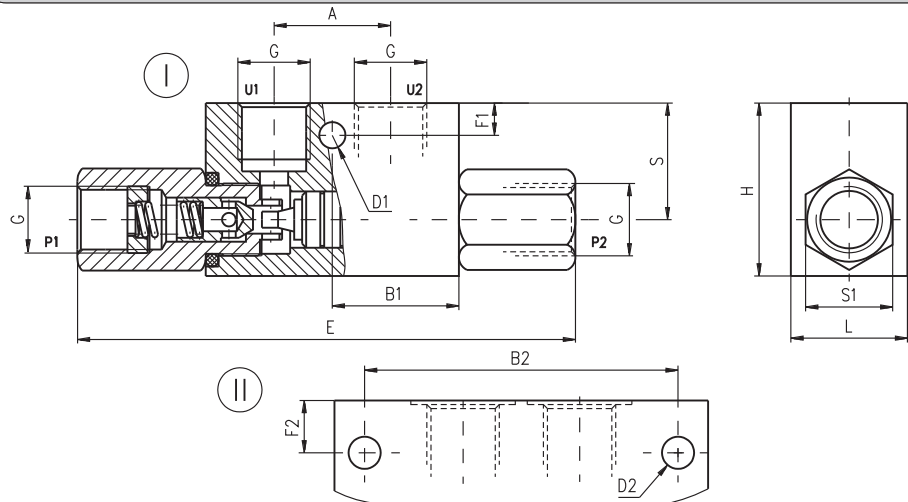
PILOT OPERATED CHECK VALVES

KOHU...

DESCRIPTION

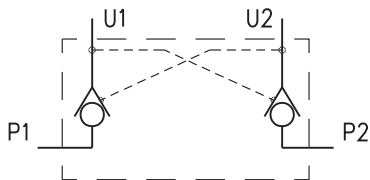
✓ Check valves with hydraulic operation for pipe mounting-KOHU...
 ✓ Hydraulically operated check valve is designed to allow working liquid passing in one direction freely (U₁ to P₁, U₂ to P₂) and at availability of control signal in the opposite direction (P₁ to U₁, P₂ to U₂). The valve ensures hydraulic "locking" of the hydraulic cylinders, i.e. Providing their stability under load at neutral position of the directional control valve.

DIMENSIONS



TYPE	fig.	A	B1	B2	D1	D2	E	F1	F2	G	H	L	S	S1
mm														
KOHU 1/4	I	29	31,5	75	6,5	8,5	127	8	17	G1/4	43	29	29	22
KOHU 3/8	I	29	31,5	75	6,5	8,5	127	8	17	G3/8	43	29	29	22
KOHU 1/2	II	40	40	75	6,5	8,5	174	8	17	G1/2	60	39	40	32
KOHU 1/4-K1	I	29	31,5	75	6,5	8,5	106	8	17	G1/4	43	29	29	22
KOHU 3/8-L	I	38	40	75	6,5	8,5	128	8	17	G3/8	40	29	26	24

SYMBOL



ORDERING CODE

KOHU *** - ***

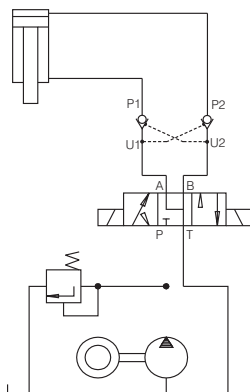
Check valve with hydraulic operation

Connecting threads: G1/4 - 1/4
 G3/8 - 3/8
 G1/2 - 1/2

Modification: normal version - omit K1

see table of dimensions L

APPLICATIONS



TECHNICAL DATA

Max. Pressure		320 bar
Rated flow	KOHU1/4	12 l/min
	KOHU3/8	20 l/min
	KOHU1/2	45 l/min
	KOHU1/4-K1	12 l/min
	KOHU3/8-L	20 l/min
Cracking pressure (for check valve)	for all types	0,5 bar
Area ratio A1/A2(check valve/piston)	for all types	1/4
Working liquid-hydraulic oils with characteristics:		
-viscosity		10...400 cSt
-degree of filtration		0,025 mm
-temperature		-20...+80°C

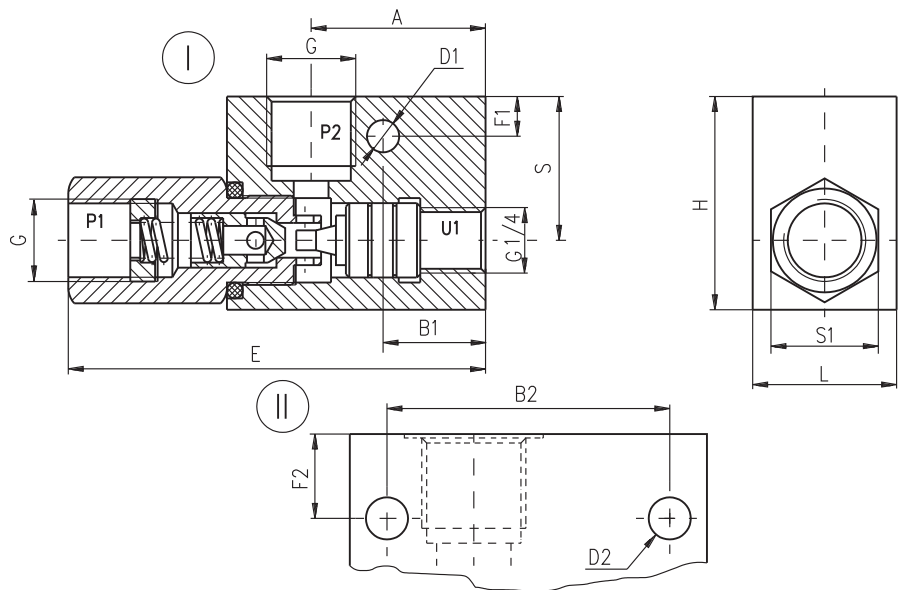
PILOT OPERATED CHECK VALVES

KOHU...-S

DESCRIPTION

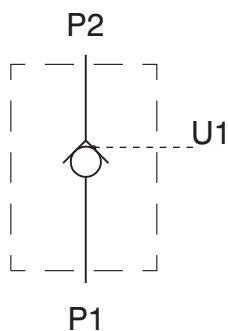
✓ Check valves with hydraulic operation for pipe mounting-KOHU...-S
 ✓ Hydraulically operated check valve is designed to allow working liquid passing in one direction freely (P₂ to P₁) and at availability of control signal in the opposite direction (P₁ to P₂). The valve ensures hydraulic "locking" of the hydraulic cylinders, i.e. providing their stability under load at neutral position of the directional control valve.

DIMENSIONS



TYPE	fig.	A	B1	B2	C	D1	D2	E	F1	F2	G	H	L	S	S1
		mm													
KOHU 1/4-S	I	37	22,5	15	15	ø6,5	86	8	G1/4	4,3	29	29	22		
KOHU 3/8-S	I	37	22,5	15	15	ø6,5	86	8	G3/8	4,3	29	29	22		
KOHU 1/2-S	II	47	57	24	24	ø8,5	114	17	G1/2	6,0	39	40	32		

SYMBOL



ORDERING CODE

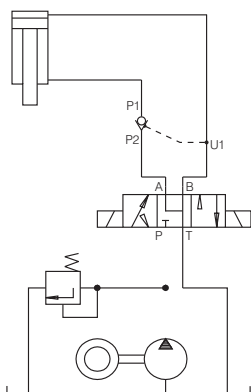
KOHU *** - S

Check valve with hydraulic operation

Connecting threads: G1/4 - 1/4
 G3/8 - 3/8
 G1/2 - 1/2

Modification

APPLICATIONS



TECHNICAL DATA

Max. Pressure		320 bar
Rated flow	KOHU1/4-S	12 l/min
	KOHU3/8-S	20 l/min
	KOHU1/2-S	45 l/min
Cracking pressure (for check valve)	for all types	0,5 bar
Area ratio A1/A2(check valve/piston)	for all types	1/4
Working liquid-hydraulic oils with characteristics:		
-viscosity		10...400 cSt
-degree of filtration		0,025 mm
-temperature		-20...+80°C

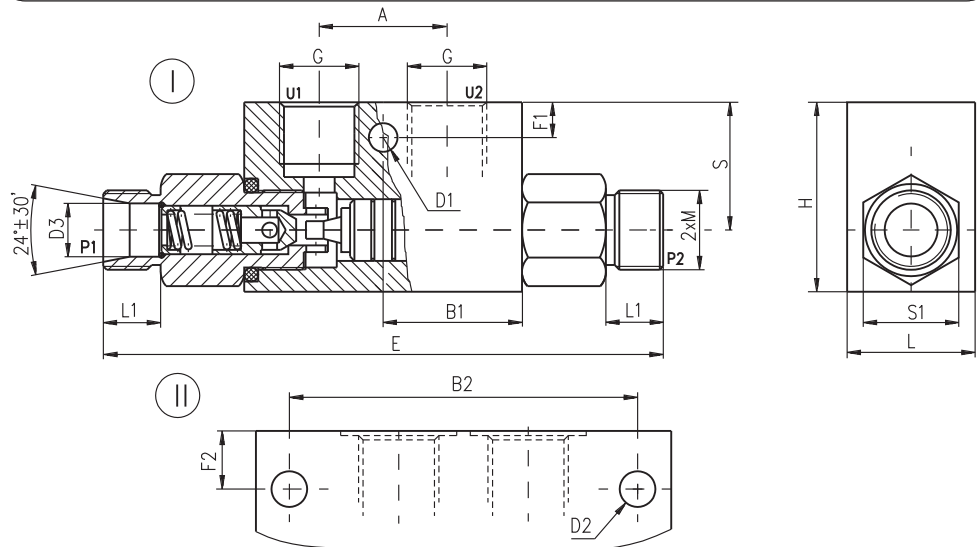
PILOT OPERATED CHECK VALVES

KOHU...-E...

DESCRIPTION

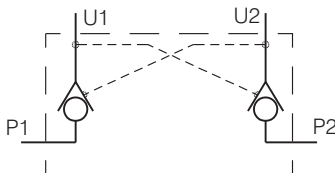
✓ Check valves with hydraulic operation for pipe mounting-KOHU...-E...
 ✓ Hydraulically operated check valve is designed to allow working liquid passing in one direction freely (U₁ to P₁, U₂ to P₂) and at availability of control signal in the opposite direction (P₁ to U₁, P₂ to U₂). The valve ensures hydraulic "locking" of the hydraulic cylinders, i.e. Providing their stability under load at neutral position of the directional control valve.

DIMENSIONS



TYPE	fig.	A	B1	B2	D1	D2	D3	F1	F2	L	L1	G	M	H	S	S1	E
		mm															
KOHU1815-E	I	29	31,5		ø6,5		ø12	8		30	13	G3/8"	M18x1,5	43	29	24	130
KOHU1815-EL	I	38	40		M8x20		ø12	8		30	13	G3/8"	M18x1,5	40	26	24	130
KOHU1815-EN	I	29	31,5		ø6,5		ø12	8		30	13	G3/8"	M18x1,5	43	29	24	130
KOHU2615-E	II	40		75	ø8,5	ø18		17		40	14	G1/2"	M26x1,5	60	40	32	174

SYMBOL



ORDERING CODE

KOHU *** - E ***

Check valve with hydraulic operation

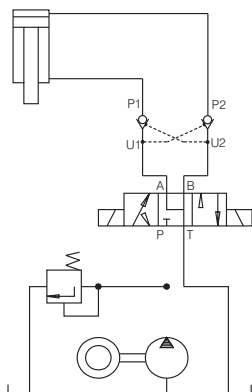
Connecting threads: M18x1,5 - 1815
 M26x1,5 - 2615

Modification

Versions:
 see table of dimensions

L
 N

APPLICATIONS



TECHNICAL DATA

Max. Pressure		320 bar
Rated flow	KOHU1815-E	20 l/min
	KOHU1815-EL	20 l/min
	KOHU1815-EN	30 l/min
	KOHU2615-E	45 l/min
Cracking pressure (for check valve)	for all types	0,5 bar
Area ratio A1/A2(check valve/piston)	for all types	1/4
Working liquid-hydraulic oils with characteristics:		
-viscosity		10...400 cSt
-degree of filtration		0,025 mm
-temperature		-20...+80°C

PILOT OPERATED CHECK VALVES

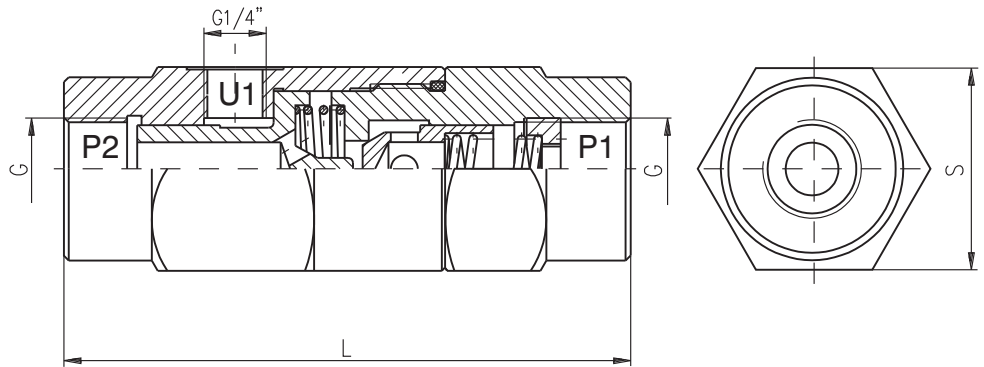
KOHU...-SA

DESCRIPTION

✓ Check valves with hydraulic operation for pipe mounting-KOHU...-SA

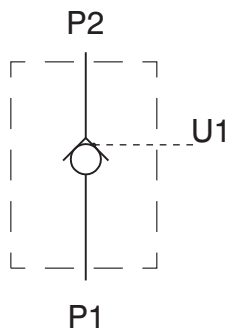
✓ Hydraulically operated check valve is designed to allow working liquid passing in one direction freely (P₂ to P₁), and at availability of control signal in the opposite direction (P₁ to P₂). The valve ensures hydraulic "locking" of the hydraulic cylinders, i.e. providing their stability under load at neutral position of the directional control valve.

DIMENSIONS



TYPE	G	S	L
	mm		
KOHU 1/4-SA	G1/4"	36	98
KOHU 3/8-SA	G3/8"	40	106
KOHU 1/2-SA	G1/2"	42	118

SYMBOL



ORDERING CODE

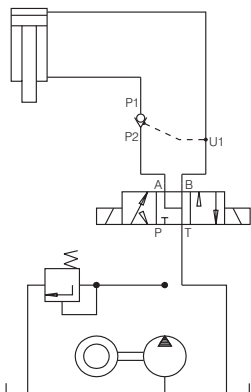
KOHU *** - SA

Check valve with hydraulic operation

Connecting threads: G1/4 - 1/4
G3/8 - 3/8
G1/2 - 1/2

Modification

APPLICATIONS



TECHNICAL DATA

Max. Pressure		320 bar
Rated flow	KOHU1/4-SA	12 l/min
	KOHU3/8-SA	20 l/min
	KOHU1/2-SA	45 l/min
Cracking pressure (for check valve)	for all types	0,5 bar
Area ratio A1/A2(check valve/piston)	KOHU1/4-SA	1/7
	KOHU3/8-SA	1/6
	KOHU1/2-SA	1/5
Working liquid-hydraulic oils with characteristics:		
-viscosity		10...400 cSt
-degree of filtration		0,025 mm
-temperature		-20...+80°C

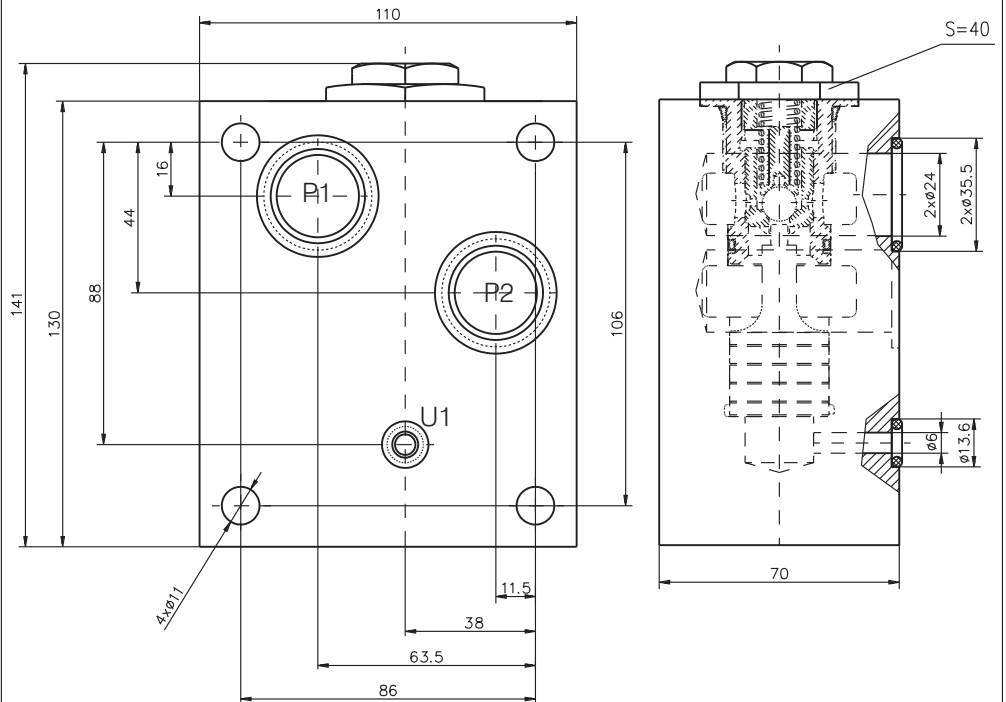
PILOT OPERATED CHECK VALVES

KOHU16P

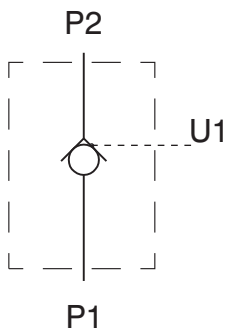
DESCRIPTION

✓ Check valves with hydraulic operation for plate mounting-KOHU16P
 ✓ Hydraulically operated check valve is designed to allow working liquid passing in one direction freely (P_2 to P_1), and at availability of control signal in the opposite direction (P_1 to P_2). The valve ensures hydraulic "locking" of the hydraulic cylinders, i.e. providing their stability under load at neutral position of the directional control valve.

DIMENSIONS



SYMBOL



ORDERING CODE

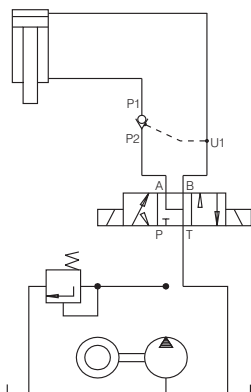
KOHU 16 P

Check valve with hydraulic operation

Nominal bore-16 mm

Pipe mounting

APPLICATIONS



TECHNICAL DATA

Max. Pressure	320 bar
Rated flow	160 l/min
Cracking pressure (for check valve)	0,8 bar
Area ratio A1/A2(check valve/piston)	1/1,5
Working liquid-hydraulic oils with characteristics:	
-viscosity	10...400 cSt
-degree of filtration	0,025 mm
-temperature	-20...+80°C

"OVERCENTER" VALVES WITH INTERNAL PILOT OPERATION

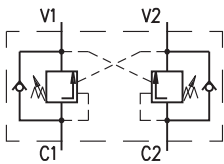
OWC-...E/L...

DESCRIPTION

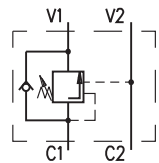
✓ "OVERCENTER" valves with internal pilot operation for pipe mounting- OWC-...E/L...

✓ The "OVERCENTER" valves are designed to control moving loads and to prevent loads from running ahead of pump. They lock the load at any position without drift and protect of overloading and thermal expansion by open center control valves.

SYMBOL

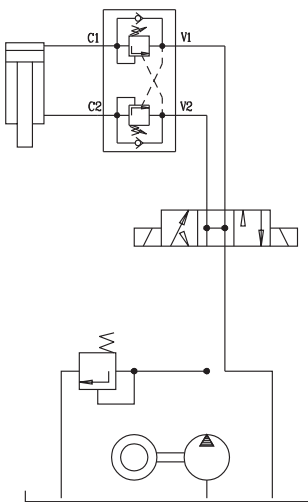


OWC-DE/L...

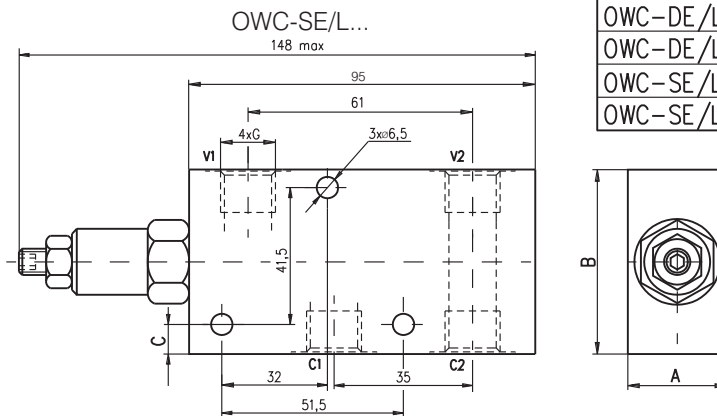
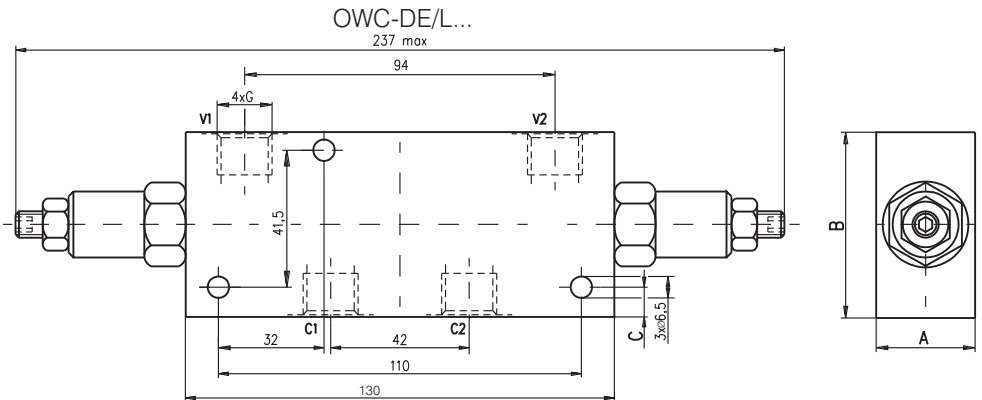


OWC-SE/L...

APPLICATIONS



DIMENSIONS



TYPE	G	A	B	C
	mm			
OWC-DE/L38	G3/8"	30	56	9
OWC-DE/L12	G1/2"	38	65	13,5
OWC-SE/L38	G3/8"	30	56	9
OWC-SE/L12	G1/2"	38	65	13,5

ORDERING CODE

OWC - *** E/L ***

"OVERCENTER"

Number of valves: double - D
single - S

Modification

Connecting threads: G3/8 - 38
G1/2 - 12

TECHNICAL DATA

Rated pressure		40...250 bar
Rated flow	for all types	35 l/min
Pressure ratio P_w/P_p (work/pilot)	for all types	4/1
Working liquid-hydraulic oils with characteristics:		
-viscosity		10...400 cSt
-degree of filtration		0,025 mm
-temperature		-20...+80°C

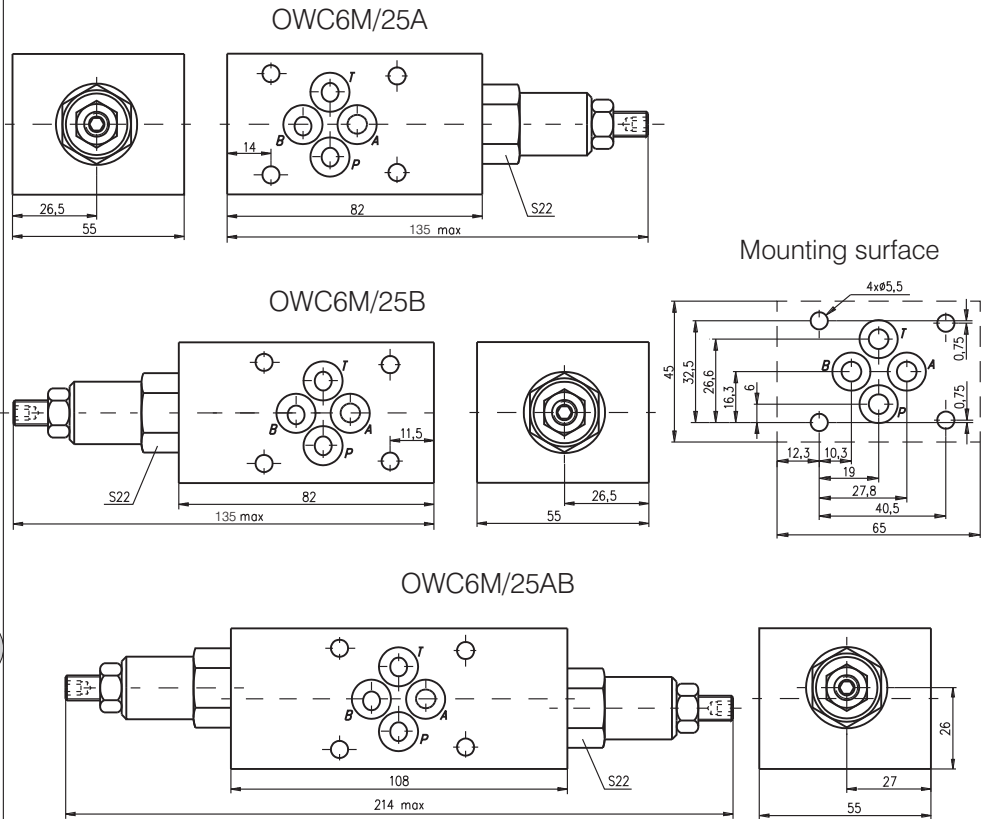
“OVERCENTER” VALVES WITH INTERNAL PILOT OPERATION

OWC6M/25...

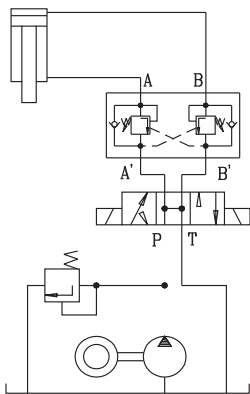
DESCRIPTION

- ✓ “OVERCENTER” valves with internal pilot operation for modular mounting-OWC6M/25...
- ✓ The “OVERCENTER” valves are designed to control moving loads and to prevent loads from running ahead of pump. They lock the load in any position without drift and protect of overloading and thermal expansion by open center control valves.
- ✓ Mounting surface CETOP3 ; NG6

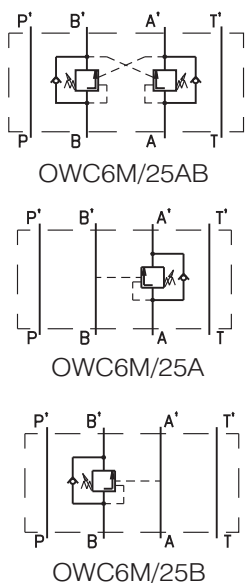
DIMENSIONS



APPLICATIONS



SYMBOL



ORDERING CODE

OWC 6 M / 25 ***

“OVERCENTER”

Nominal bore 6mm

Modular mounting

Rated pressure

up to 250 bar.

Valve position:

at line A - A

at line B - B

at line A&B - AB

TECHNICAL DATA

Rated pressure	40...250 bar
Rated flow	for all types 20 l/min
Pressure ratio P_w/P_p (work/pilot)	for all types 4/1
Working liquid-hydraulic oils with characteristics:	
-viscosity	10...400 cSt
-degree of filtration	0,025 mm
-temperature	-20...+80°C

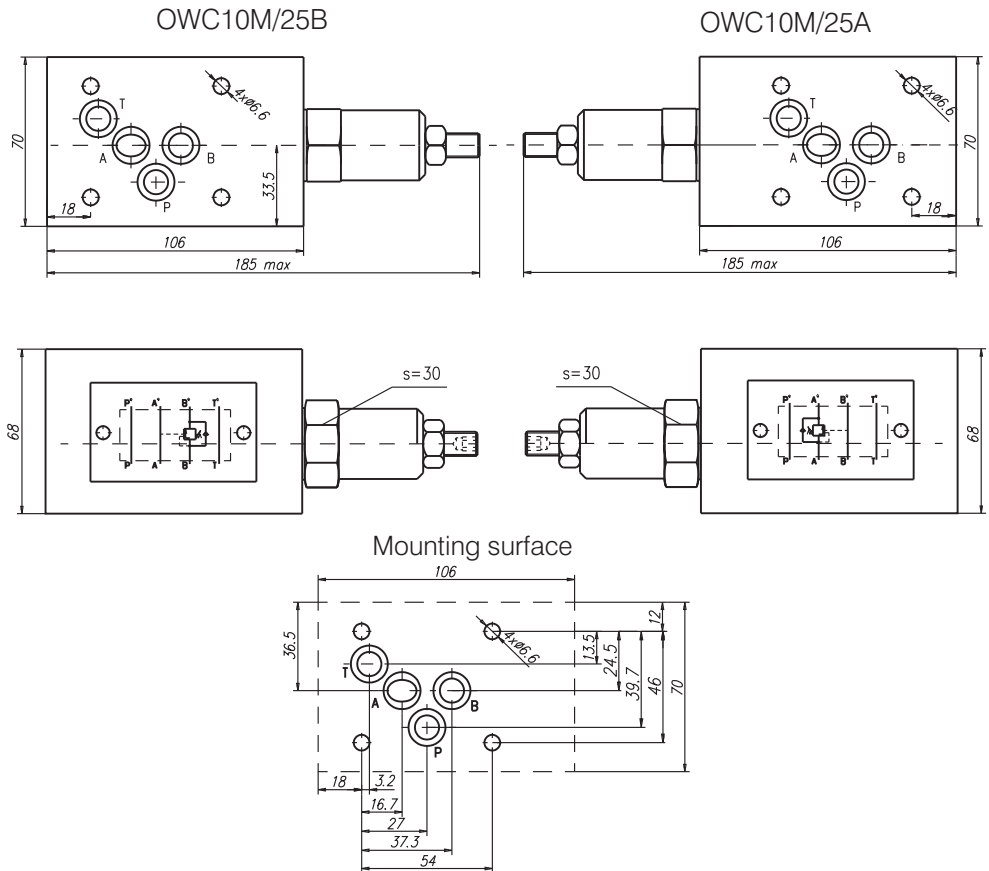
“OVERCENTER” VALVES WITH INTERNAL PILOT OPERATION

OWC10M/25...

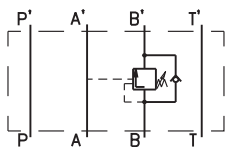
DESCRIPTION

- ✓ “OVERCENTER” valves with internal pilot operation for modular mounting-OWC10M/25...
- ✓ The “OVERCENTER” valves are designed to control moving loads and to prevent loads from running ahead of pump. They lock the load in any position without drift and protect of overloading and thermal expansion by open center control valves.
- ✓ Mounting surface CETOP5 ; NG10

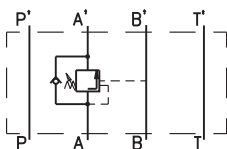
DIMENSIONS



SYMBOL



OWC10M/25B



OWC10M/25A

ORDERING CODE

OWC 10 M / 25 ***

“OVERCENTER”

Nominal bore 10mm

Modular mounting

Rated pressure

up to 250 bar.

Valve position:

at line A - A

at line B - B

TECHNICAL DATA

Rated pressure	40...250 bar
Rated flow	for all types 80 l/min
Pressure ratio P_w/P_p (work/pilot)	for all types 4,2/1
Working liquid-hydraulic oils with characteristics:	
-viscosity	10...400 cSt
-degree of filtration	0,025 mm
-temperature	-20...+80°C

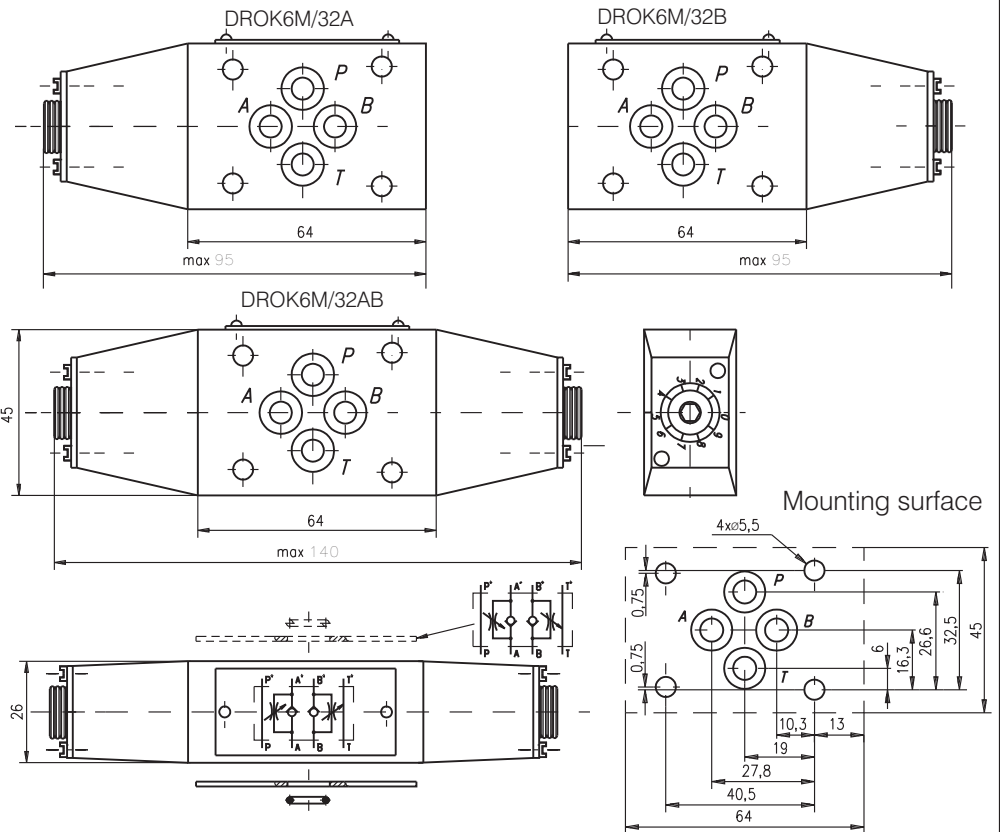
THROTTLE CHECK VALVES

DROK6M/32-...

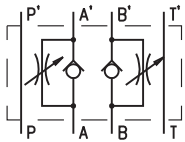
DESCRIPTION

- ✓ Adjustable throttles with check valves for modular mounting-DROK6M/32-...
- ✓ The throttle check valves limit the flow by adjustable throttling spool at one direction , and allow free return passing through the other.
- ✓ Mounting surface CETOP3 ; NG6

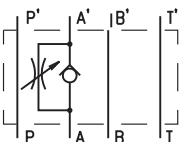
DIMENSIONS



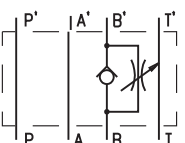
SYMBOL



DROK6M/32AB



DROK6M/32A



DROK6M/32B

ORDERING CODE

DROK 6 M / 32 ***

Adjustable throttle with check valve

Nominal bore 6mm.

Modular mounting

Rated pressure: up to 320 bar.-32

Valve position: at line A - A
at line B - B
at line A and B - AB

TECHNICAL DATA

Weight	-with one valve	0,650 kg
	-with two valves	0,810 kg
Max. Pressure		320 bar
Rated flow ($\Delta p=3,5$ bar.)		20 l/min
Cracking pressure (for check valve)		0,2 bar
Working liquid-hydraulic oils with characteristics:		
-viscosity		10...400 cSt
-degree of filtration		0,025 mm
-temperature		-20...+80°C

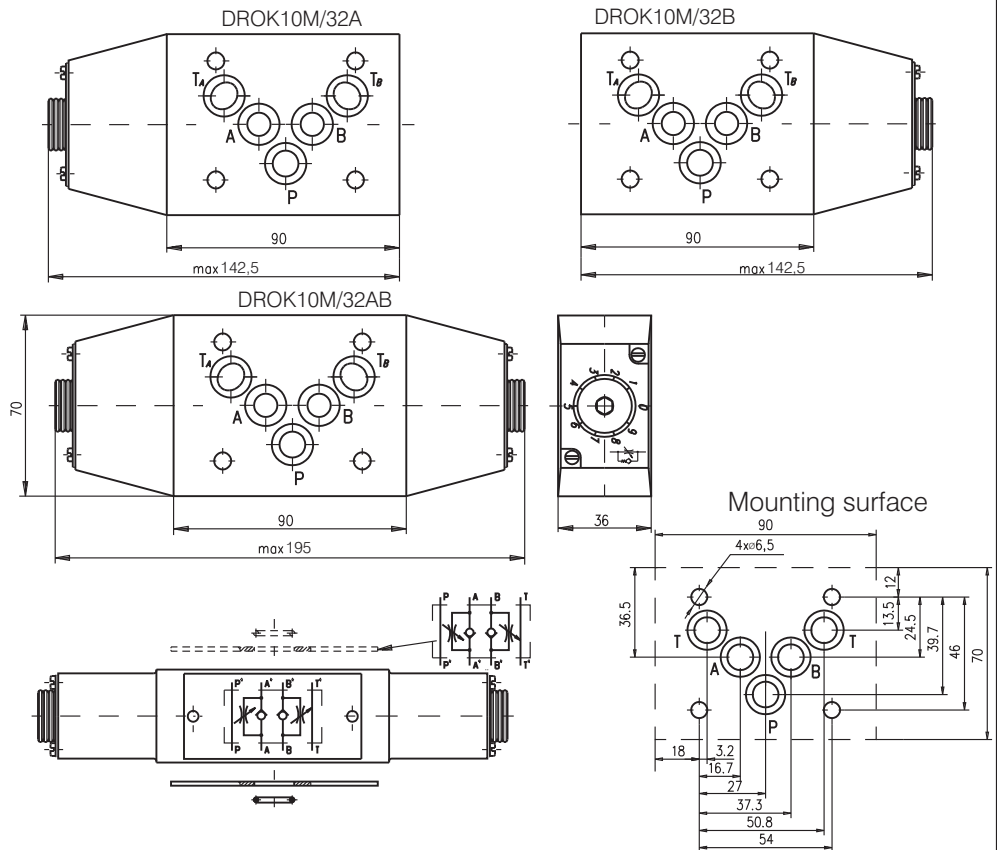
THROTTLE CHECK VALVES

DROK10M/32-...

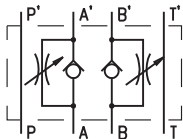
DESCRIPTION

- ✓ Adjustable throttles with check valves for modular mounting-DROK10M/32-...
- ✓ The throttle check valves limit the flow by adjustable throttling spool at one direction , and allow free return passing on the other.
- ✓ Mounting surface CETOP5 ; NG10

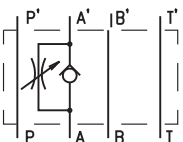
DIMENSIONS



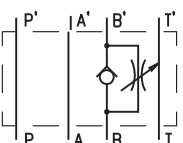
SYMBOL



DROK10M/32AB



DROK10M/32A



DROK10M/32B

ORDERING CODE

DROK 10 M / 32 ***

Adjustable throttle with check valve

Nominal bore 10mm.

Modular mounting

Rated pressure: up to 320 bar.-32

Valve position: at line A - A
at line B - B
at line A and B - AB

TECHNICAL DATA

Weight	-with one valve	2,100 kg
	-with two valves	2,500 kg
Max. Pressure		320 bar
Rated flow ($\Delta p=2,5$ bar.)		40 l/min
Cracking pressure (for check valve)		0,2 bar
Working liquid-hydraulic oils with characteristics:		
-viscosity		10...400 cSt
-degree of filtration		0,025 mm
-temperature		-20...+80°C

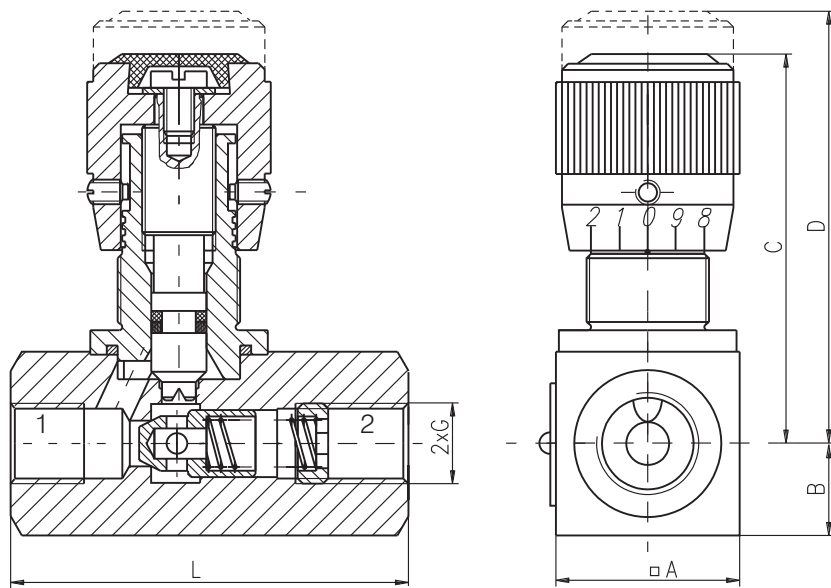
THROTTLE CHECK VALVES

DROK...T/32-...

DESCRIPTION

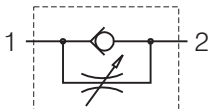
- ✓ Adjustable throttles with check valves for pipe mounting-DROK...T/32-...
- ✓ The throttle check valves limit the flow by adjustable throttling spool at one direction, and allow free return passing on the other.

DIMENSIONS



TYPE	L	A	B	C	D
	mm.				
DROK6T/32-1/4"	65	30	15	63	70
DROK6T/32-3/8"	65	30	15	63	70
DROK10T/32-1/2"	79	32	13,5	66,5	73,5

SYMBOL



ORDERING CODE

DROK *** T / 32 - ***

Adjustable throttle with
check valve

Nominal bore: 6mm - 6
 10mm - 10

Pipe mounting

Rated pressure: up to 320 bar.-32

Mounting threads: G1/4 - 1/4
 G3/8 - 3/8
 G1/2 - 1/2

TECHNICAL DATA

Max. Pressure		320 bar
Rated flow ($\Delta p=2,5$ bar.)	DROK6T/32-...	20 l/min
Rated flow ($\Delta p=2,5$ bar.)	DROK10T/32-1/2	40 l/min
Cracking pressure (for check valve)		0,3 bar
Working liquid-hydraulic oils with characteristics:		
-viscosity		10...400 cSt
-degree of filtration		0,025 mm
-temperature		-20...+80°C

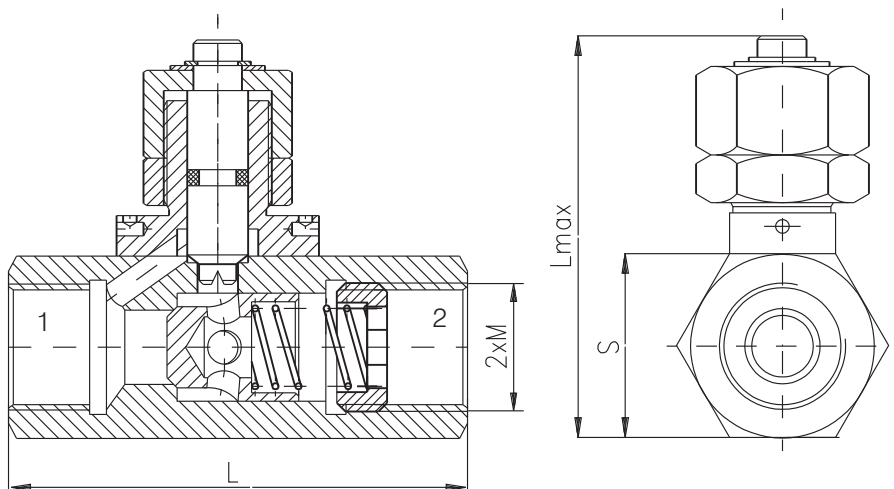
THROTTLE CHECK VALVES

DROK...T/25

DESCRIPTION

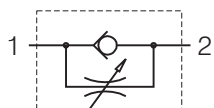
- ✓ Adjustable throttles with check valves for pipe mounting-DROK...T/25
- ✓ The throttle check valves limit flow by adjustable throttling spool at one direction , and allow free return passing on the other.

DIMENSIONS



TYPE	L	Lmax	S	M
	mm.			
DROK12T/25	68	59	27	18x1,5
DROK16T/25	82	62	30	22x1,5
DROK20T/25	92	68	36	27x2

SYMBOL



ORDERING CODE

DROK * T / 25**

Adjustable throttle with check valve

Nominal bore: 12mm - **12**
 16mm - **16**
 20mm - **20**

Pipe mounting

Rated pressure: up to 250 bar. -**25**

TECHNICAL DATA

Max. Pressure		250 bar
Rated flow ($\Delta p=2,5$ bar.)	DROK12T/25	25 l/min
	DROK16T/25	40 l/min
	DROK20T/25	63 l/min
Cracking pressure (for check valve)		0,3 bar
Working liquid-hydraulic oils with characteristics:		
-viscosity		10...400 cSt
-degree of filtration		0,025 mm
-temperature		-20...+80°C

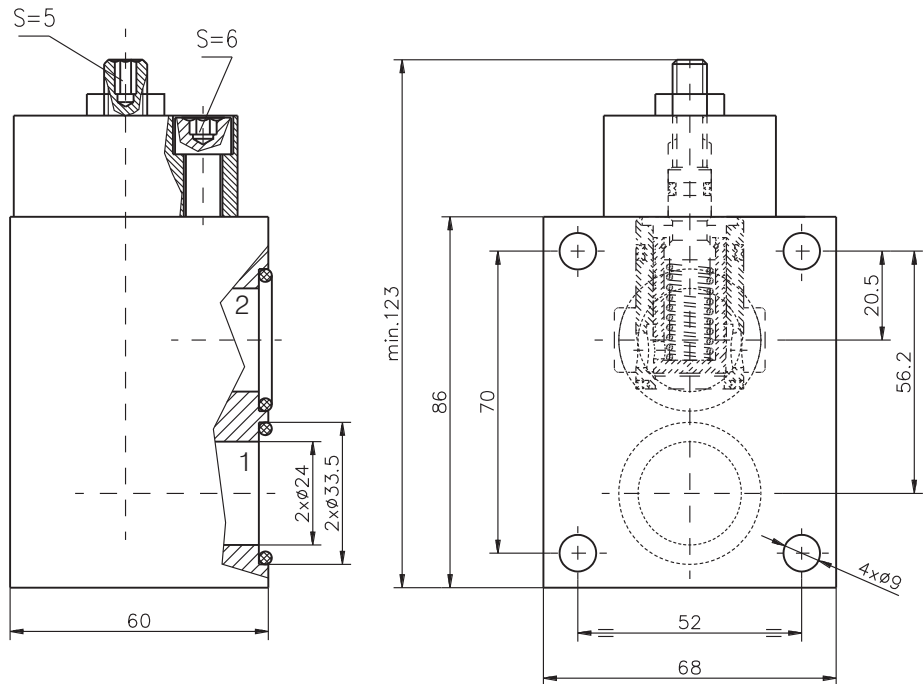
THROTTLE CHECK VALVES

DROK16P

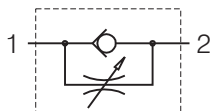
DESCRIPTION

- ✓ Adjustable throttles with check valves for pipe mounting-DROK16P
- ✓ The throttle check valves limit flow by adjustable throttling spool at one direction , and allow free return passing on the other.

DIMENSIONS



SYMBOL



ORDERING CODE

DROK 16 P

Adjustable throttle with
check valve
Nominal bore - 16 mm.

Pipe mounting

TECHNICAL DATA

Max. Pressure	320 bar
Rated flow ($\Delta p=2,5$ bar.)	160 l/min
Cracking pressure (for check valve)	0,5 bar
Working liquid-hydraulic oils with characteristics:	
-viscosity	10...400 cSt
-degree of filtration	0,025 mm
-temperature	-20...+80°C

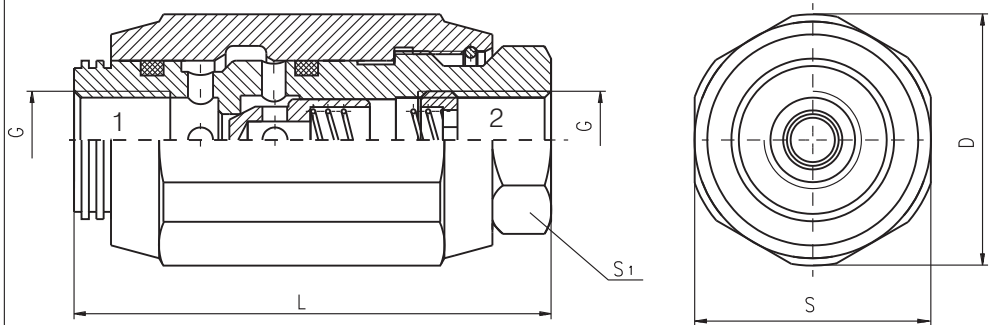
THROTTLE CHECK VALVES

DROK-...

DESCRIPTION

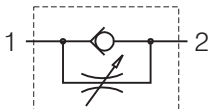
- ✓ Adjustable throttles with check valves for pipe mounting-DROK-...
- ✓ The throttle check valves limit flow by adjustable throttling spool at one direction , and allow free return passing on the other.

DIMENSIONS



TYPE	L	S	S1	D	G
	mm.				
DROK-1/4"	65	32	22	34	1/4"
DROK-3/8"	65	36	24	38	3/8"
DROK-1/2"	82	42	29	44	1/2"
DROK-3/4"	100	52	36	55	3/4"
DROK-1"	126	65	45	70	1"

SYMBOL



ORDERING CODE

DROK - ***

Adjustable throttle with check valve

Mounting threads:

G1/4-1/4"
G3/8-3/8"
G1/2-1/2"
G3/4-3/4"
G1-1"

TECHNICAL DATA

Max. Pressure		320 bar
Rated flow ($\Delta p=2,5$ bar.)	-1/4	12 l/min
	-3/8	20 l/min
	-1/2	45 l/min
	-3/4	80 l/min
	-1	160 l/min
Working liquid-hydraulic oils with characteristics:		
-viscosity		10...400 cSt
-degree of filtration		0,025 mm
-temperature		-20... +80°C

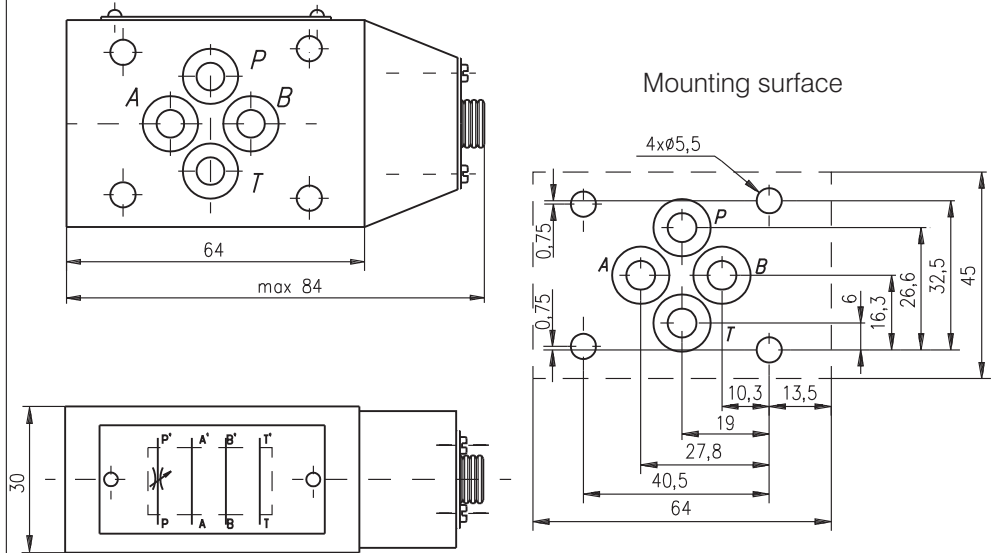
ADJUSTABLE THROTTLES

DR6M/32...

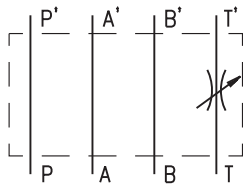
DESCRIPTION

- ✓ Adjustable throttles for modular mounting-DR6M/32...
- ✓ The valve throttles, or completely stops the flow in any direction, so creating resistance to flow regulation and support in the hydraulic system.
- ✓ Mounting surface CETOP3 ; NG6

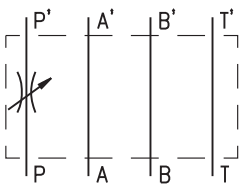
DIMENSIONS



SYMBOL



DR6M/32T



DR6M/32P

ORDERING CODE

DR 6 M / 32 ***

Adjustable throttle

Nominal bore 6mm.

Modular mounting

Rated pressure: up to 320 bar.-32

Valve position: at line T - T
at line P - P

TECHNICAL DATA

Weight	DR6M/32T	0,710 kg
	DR6M/32P	0,710 kg
Max. Pressure		320 bar
Rated flow ($\Delta p=2,5$ bar.)		20 l/min
Working liquid-hydraulic oils with characteristics:		
-viscosity		10...400 cSt
-degree of filtration		0,025 mm
-temperature		-20... +80°C

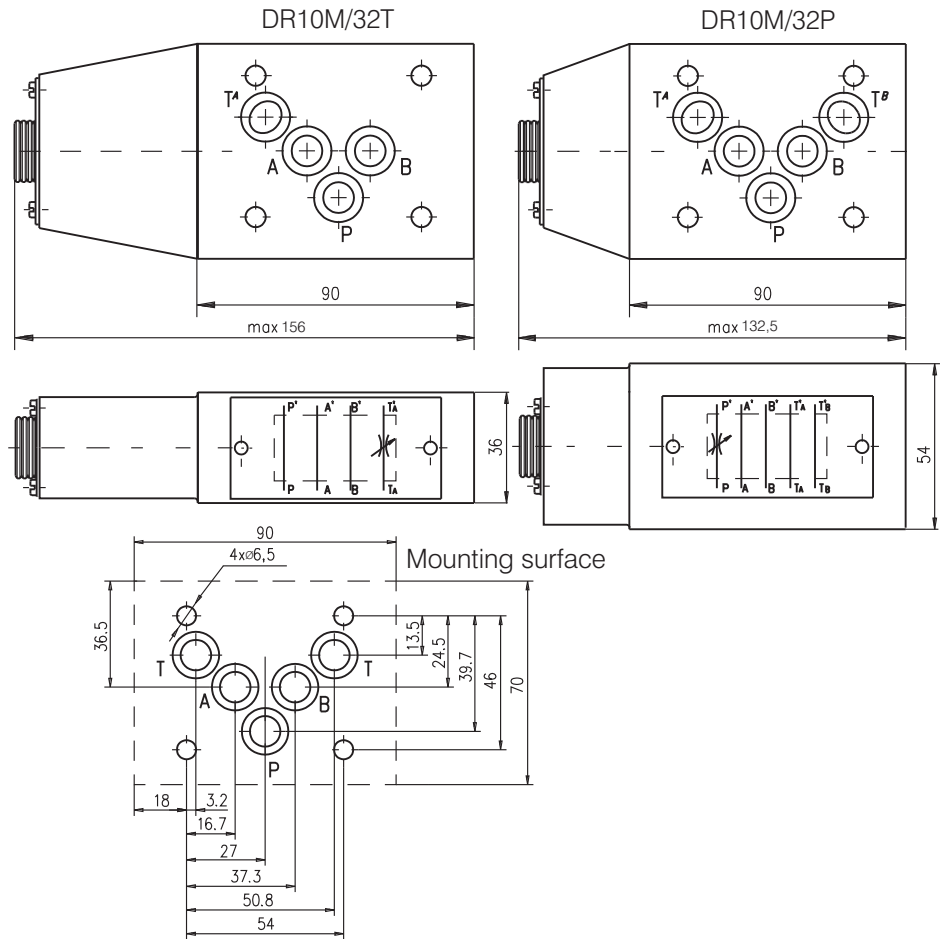
ADJUSTABLE THROTTLES

DR10M/32...

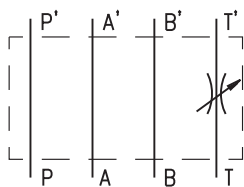
DESCRIPTION

- ✓ Adjustable throttles with for modular mounting-DR10M/32...
- ✓ The valve throttles , or completely stops the flow in any direction , so creating resistance to flow regulation and support in the hydraulic system.
- ✓ Mounting surface CETOP5 ; NG10

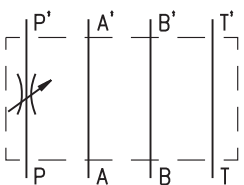
DIMENSIONS



SYMBOL



DR10M/32T



DR10M/32P

ORDERING CODE

DR 10 M / 32 ***

Adjustable throttle

Nominal bore 10mm.

Modular mounting

Rated pressure: up to 320 bar.-32

Valve position: at line T - T
at line P - P

TECHNICAL DATA

Weight	DR10M/32T	2,200 kg
	DR10M/32P	2,850 kg
Max. Pressure		320 bar
Rated flow ($\Delta p=2,5$ bar.)		40 l/min
Working liquid-hydraulic oils with characteristics:		
-viscosity		10...400 cSt
-degree of filtration		0,025 mm
-temperature		-20...+80°C

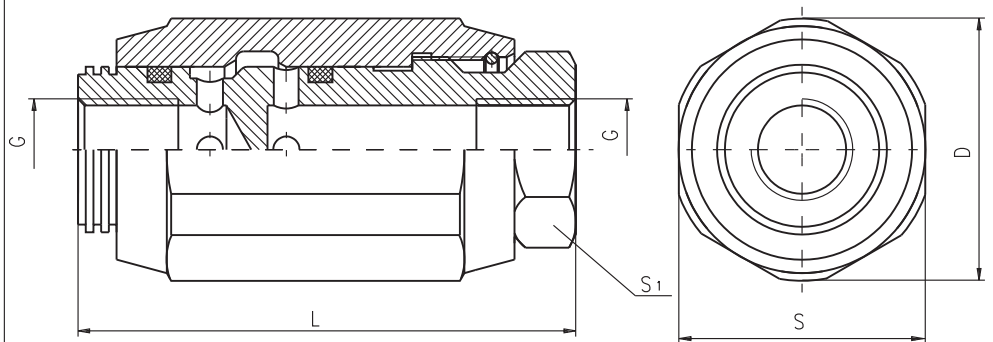
ADJUSTABLE THROTTLES

DR-...

DESCRIPTION

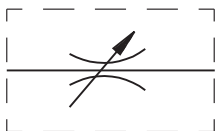
- ✓ Adjustable throttle for pipe mounting-DR-...
- ✓ The valve throttles , or completely stops the flow in any direction , so creating resistance to flow regulation and support in the hydraulic system.

DIMENSIONS



TYPE	L	S	S1	D	G
	mm.				
DR-1/4"	65	32	22	34	1/4"
DR-3/8"	65	36	24	38	3/8"
DR-1/2"	82	42	29	44	1/2"
DR-3/4"	100	55	36	59	3/4"
DR-1"	126	65	45	70	1"

SYMBOL



ORDERING CODE

DR - ***

Adjustable throttle

Mounting thread:

- G1/4 -1/4
- G3/8 -3/8
- G1/2 -1/2
- G3/4 -3/4
- G1 -1

TECHNICAL DATA

Max. Pressure	320 bar
Rated flow ($\Delta p=2,5$ bar.)	-1/4 12 l/min
	-3/8 20 l/min
	-1/2 45 l/min
	-3/4 80 l/min
	-1 160 l/min
Working liquid-hydraulic oils with characteristics:	
-viscosity	10...400 cSt
-degree of filtration	0,025 mm
-temperature	-20...+80°C

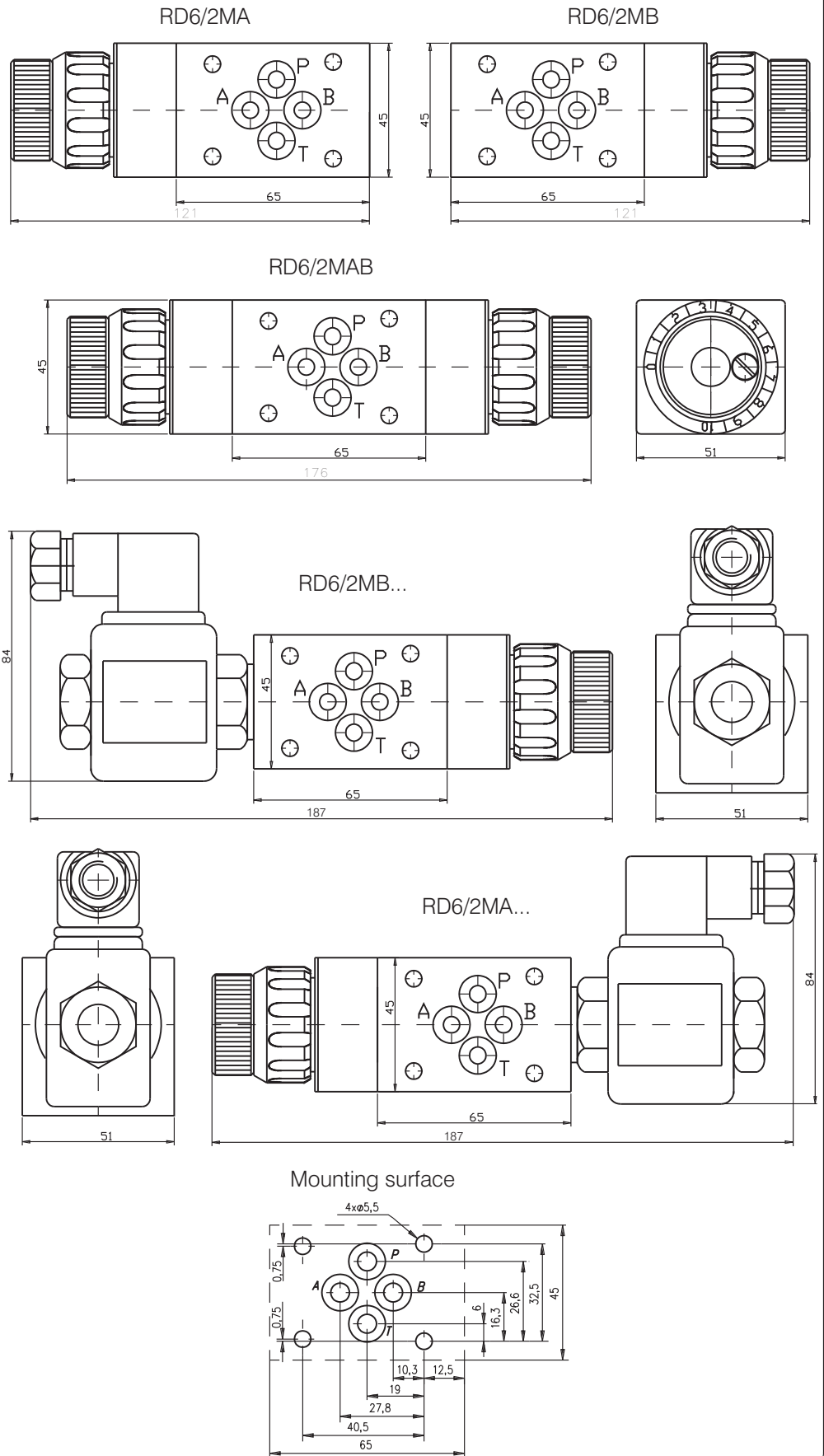
FLOW CONTROL VALVES

RD6/2M.....

DESCRIPTION

- ✓ Flow control valves for modular mounting- RD6/2M...
- ✓ The flow control valves are designed to regulate the flow rate in the hydraulic system , independently of the inlet flow and pressure variations in it.
- ✓ Flow Control Valve with solenoid controlled check valve (channel A or channel B) ensures two different speeds of movement.
- ✓ Mounting surface CETOP3 ; NG6

DIMENSIONS

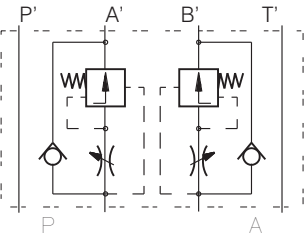


FLOW CONTROL VALVES

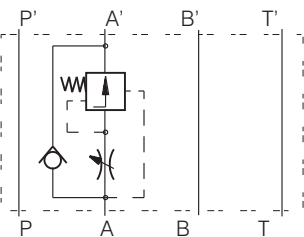
RD6/2M.....

SYMBOL

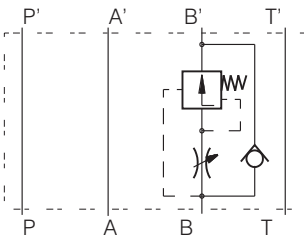
ORDERING CODE



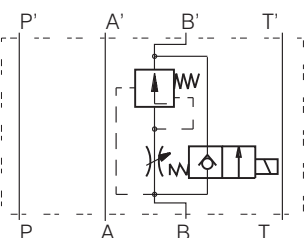
RD6/2MAB



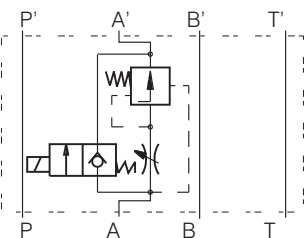
RD6/2MA



RD6/2MB



RD6/2MB...



RD6/2MA...

RD 6 / 2 M *** **

Flow control valve

Nominal bore 6mm.

2 - way valve

Modular mounting

Valve position:

at line A - A

at line B - B

at line A&B - AB

Solenoid operated check valve:

- without check valve - omit
- operated voltage 12VDC - 1
- operated voltage 24VDC - 2
- operated voltage 110VAC - 3
- operated voltage 220VAC - 4

TECHNICAL DATA

Weight	RD6/2MAB	1,825 kg
	RD6/2MA & RD6/2MB	1,485 kg
	RD6/2MA...&D6/2MB...	1,885 kg
Max. Pressure		320 bar
	with solenoid valve	250 bar
Rated flow ($\Delta p=2,5$ bar.)		10 l/min
Minimum flow		0,06 l/min
Working liquid-hydraulic oils with characteristics:	-viscosity	10...400 cSt
	-degree of filtration	0,025 mm
	-temperature	-20...+80°C

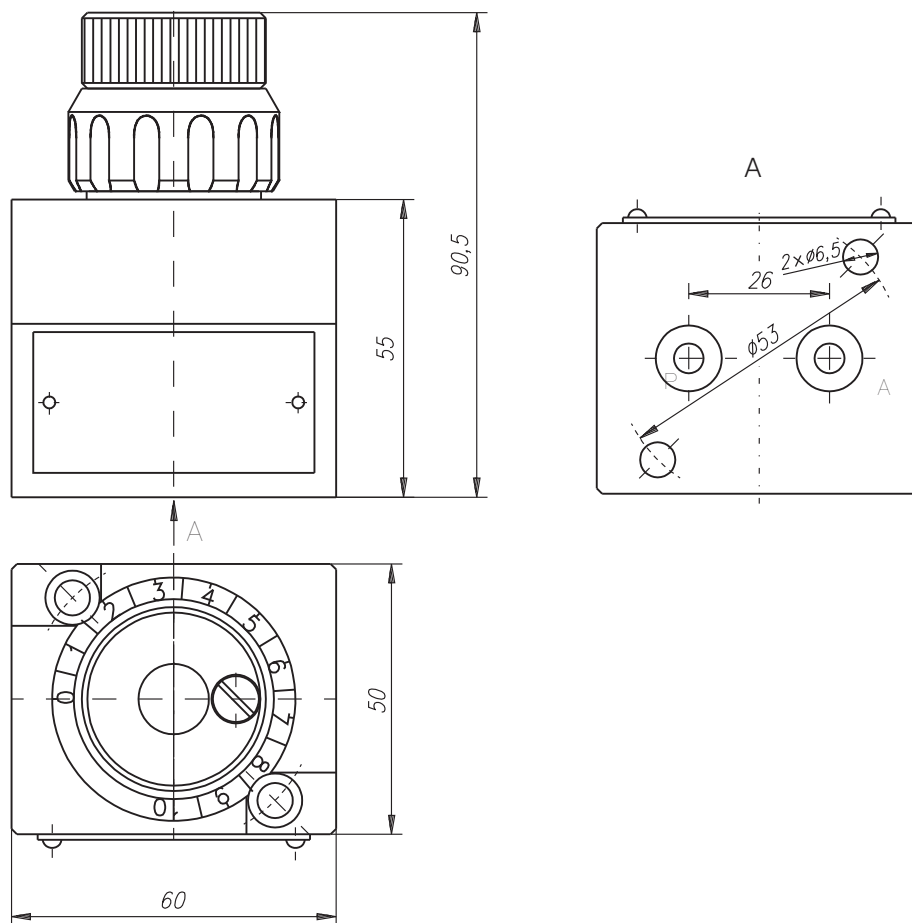
FLOW CONTROL VALVES

RD6/2P..

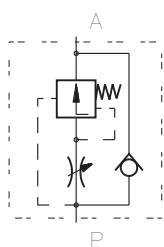
DESCRIPTION

- ✓ Flow control valves for plate mounting - RD6/2P..
- ✓ The flow control valves are designed to regulate the flow rate in the hydraulic system, independently of the inlet flow and pressure variations in it.

DIMENSIONS



SYMBOL



ORDERING CODE

RD 6 / 2 P

Flow control valve
 Nominal bore 6mm.
 2 - way valve
 Plate mounting

TECHNICAL DATA

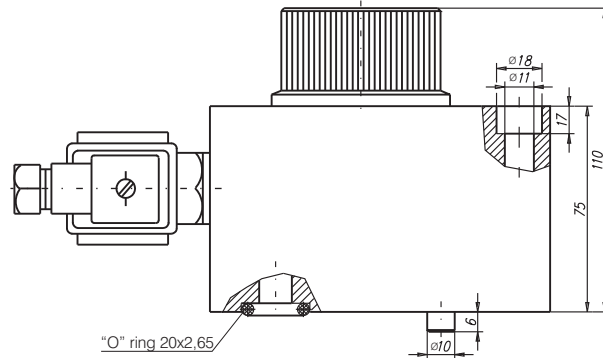
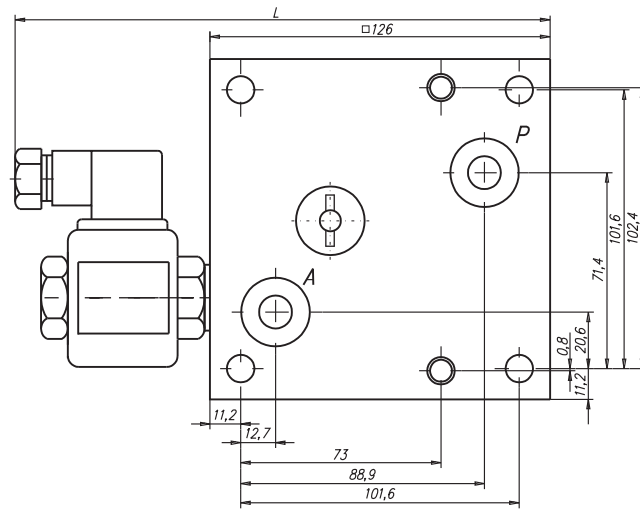
Weight	1,240 kg
Max. Pressure	320 bar
Rated flow ($\Delta p=2,5$ bar.)	10 l/min
Minimum flow	0,06 l/min
Working liquid-hydraulic oils with characteristics:	
-viscosity	10...400 cSt
-degree of filtration	0,025 mm
-temperature	-20...+80°C

DESCRIPTION

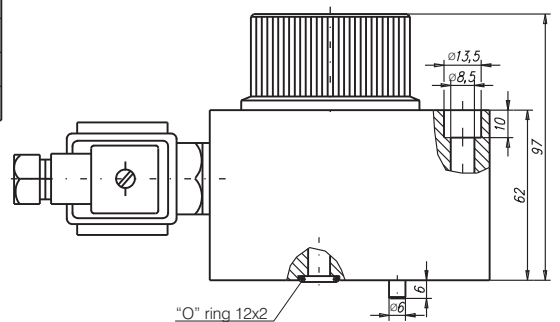
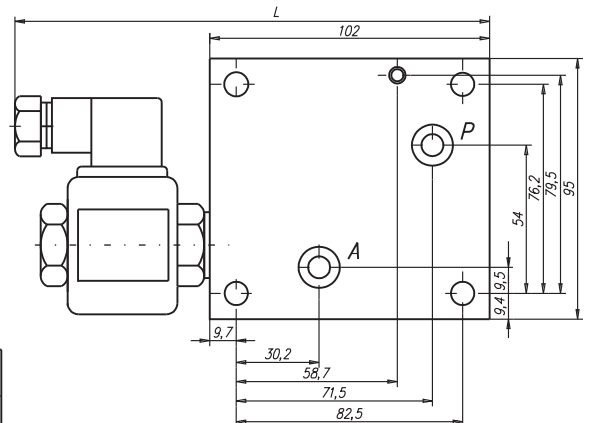
- ✓ Flow control valves for plate mounting- RD.../2...
- ✓ The flow control valves are designed to regulate the flow rate in the hydraulic system, independently of the inlet flow and pressure variations in it.
- ✓ Flow Control Valve with solenoid controlled check valve (channel A or channel B) ensures two different speeds of movement.

DIMENSIONS

RD16/2...



RD10/2...

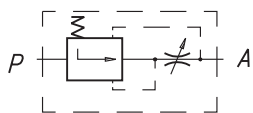


TYPE	Range of regulation	L
	grad.	
RD 10/2	4x360°	102
RD 10/2...	4x360°	175,5
RD 16/2	4x360°	126
RD 16/2...	4x360°	197,5

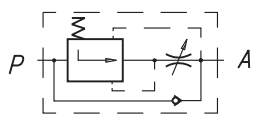
FLOW CONTROL VALVES

RD.../2...

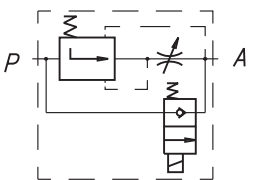
SYMBOL



RD.../2



RD.../2A



RD.../2...

ORDERING CODE

RD	***	/	2	***
----	-----	---	---	-----

Flow control valve

Nominal bore:

10mm - 10

16mm - 16

2-way valve

Modifications:

- standard modification - omit

-with build in check valve - A

-with build in solenoid check valve : operated voltage-12VDC - 1

operated voltage-24VDC - 2

-operated voltage 110VAC - 3

-operated voltage 220VAC - 4

TECHNICAL DATA

Max. Pressure		320 bar
Rated flow ($\Delta p=5$ bar.)	RD10/2...	24 l/min
Rated flow ($\Delta p=8$ bar.)	RD16/2...	80 l/min
Minimum flow	RD10/2...	0,05 l/min
Minimum flow	RD16/2...	0,1 l/min
Working liquid-hydraulic oils with characteristics:		
-viscosity		10...400 cSt
-degree of filtration		0,025 mm
-temperature		-20... +80°C

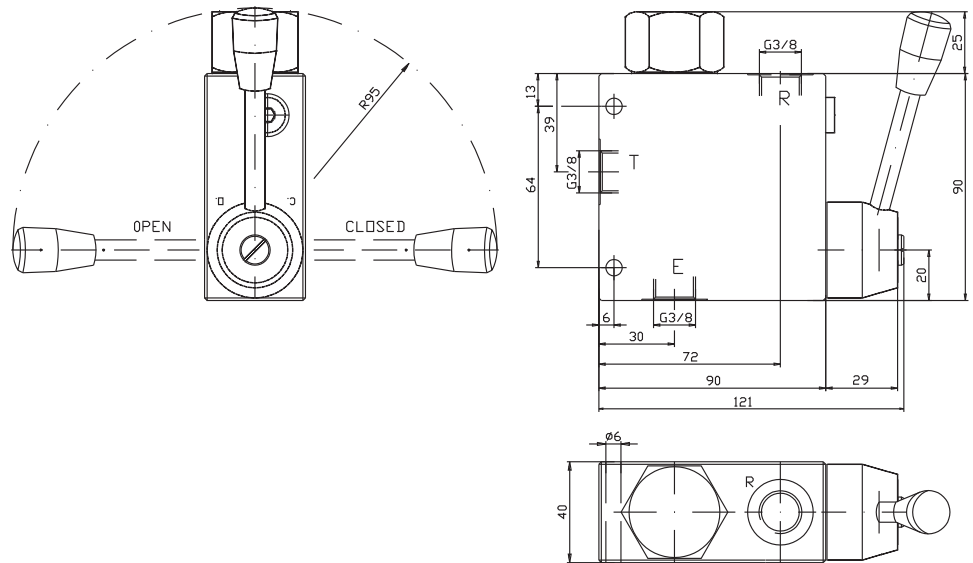
FLOW CONTROL VALVES

RD10/3T

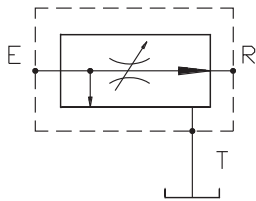
DESCRIPTION

✓ Three way flow control valves for pipe mounting -RD10/3T
 ✓ The flow control valves are designed to regulate the flow rate in the hydraulic system, independently of the inlet flow and pressure variations in it. Priority flow regulator gives priority of the adjusted flow to pass entirely to bypass, tank or a separate system.

DIMENSIONS



SYMBOL



ORDERING CODE

RD 10 / 3 T

Flow control valve

Nominal bore - 10mm

3 - way valve

Pipe mounting

TECHNICAL DATA

Max. Pressure	210 bar
Rated flow	30 l/min
Minimum flow	4 l/min
Working liquid-hydraulic oils with characteristics:	
-viscosity	10...400 cSt
-degree of filtration	0,025 mm
-temperature	-20...+80°C

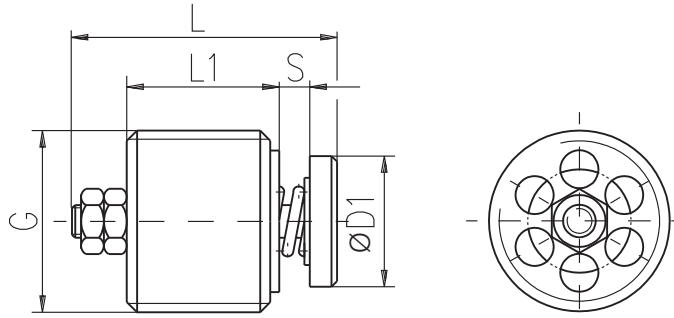
HOSE BURST CHECK VALVES

HC870...

DESCRIPTION

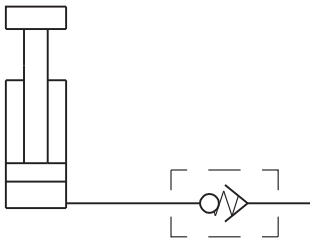
✓ Hose burst check valves for pipe mounting-HC870...
 ✓ Hose burst check valves prevent against an uncontrollable, accelerated movement of a loaded hydraulic actuator, when the back pressure is lost (as a result of damage or rupture in the pressurized line or pipe connections).
 The valve is screwed directly into the pressurized inlet port of the hydraulic actuator.

DIMENSIONS



TYPE	G	L	L ₁	ØD ₁
				mm
HC870-1/4	G1/4"	21	12	9,5
HC870-3/8	G3/8"	23	14	12
HC870-1/2	G1/2"	27	16	15
HC870-3/4	G3/4"	36	24	18,5

APPLICATIONS



ORDERING CODE

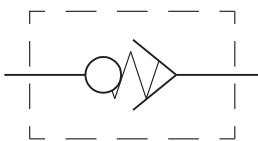
HC 870 - ***

Hose burst check valve
 Modification
 Mounting thread:

G1/4 -1/4
 G3/8 -3/8
 G1/2 -1/2
 G3/4 -3/4

*Other available threads: (metric) on request

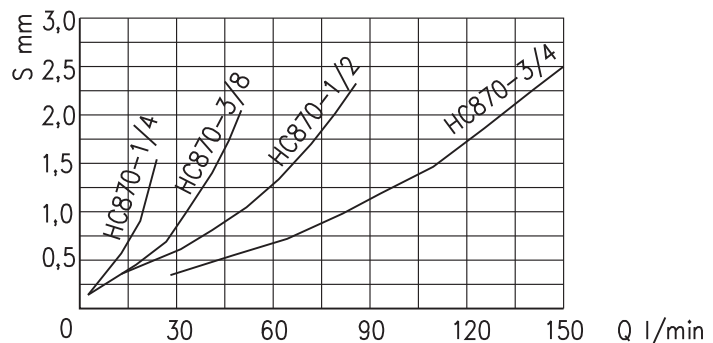
SYMBOL



TECHNICAL DATA

Max. Pressure	320 bar
Rated flow - see characteristics	
Working liquid-hydraulic oils with characteristics:	
-viscosity	10...400 cSt
-degree of filtration	0,025 mm
-temperature	-20...+80°C

CHARACTERISTICS



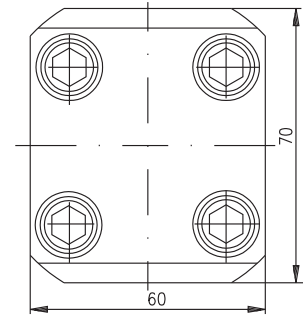
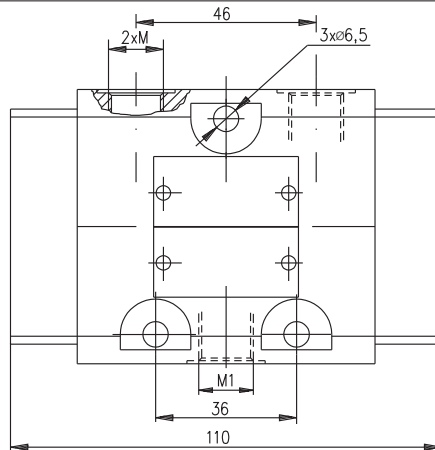
DIVIDING AND COMBINING VALVES

KDS-.....

DESCRIPTION

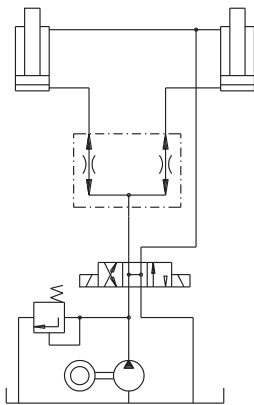
- ✓ Dividing and combining valves for pipe mounting-KDS-.....
- ✓ The dividing and combining valves are designed to separate the flow in the hydraulic system on two equal passages which pass equally in the return line. In that way synchronized movement is obtained for operating the actuator in both directions.

DIMENSIONS



TYPE	M	M1
KDS-10	M14x1,5	M14x1,5
KDS-40	M18x1,5	M22x1,5

APPLICATIONS



ORDERING CODE

KDS	-	***	***
-----	---	-----	-----

Dividing and combining valve
Nominal bore:

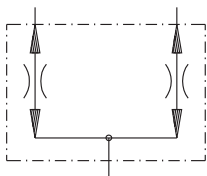
10mm - **10**
40mm - **40**

Flow rate range: bore size - 10

bore size - 40

5...7 l/min - **A**
7...12 l/min - **B**
12...16 l/min - **C**
16... 21 l/min - **A**
21...28 l/min - **B**
28...37 l/min - **C**
37...49 l/min - **D**
49...63 l/min - **E**

SYMBOL



TECHNICAL DATA

Max. Pressure		320 bar
Rated flow (Dp=2,5 bar.)	KDS-10A	5...7 l/min
	KDS-10B	7...12 l/min
	KDS-10C	12...16 l/min
	KDS-40A	16...21 l/min
	KDS-40B	21...28 l/min
	KDS-40C	28...37 l/min
	KDS-40D	37...49 l/min
	KDS-40E	49...63 l/min
Accuracy - ΔQ		±4%
Working liquid-hydraulic oils with characteristics:		
-viscosity		10...400 cSt
-degree of filtration		0,025 mm
-temperature		-20...+80°C

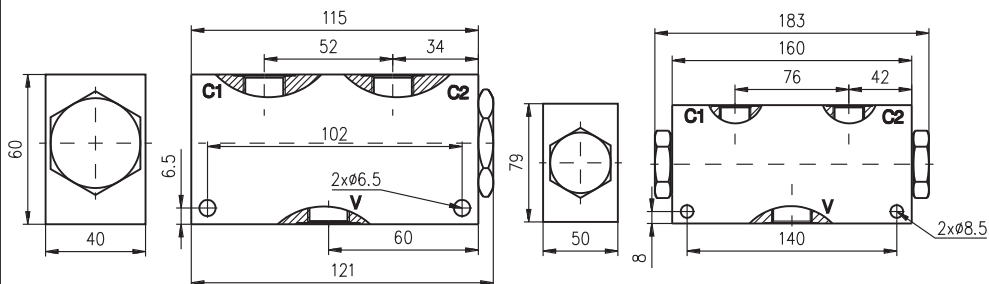
DIVIDING AND COMBINING VALVES

FDC.....-...

DESCRIPTION

- ✓ Dividing and combining valves for pipe mounting-FDC.....-...
- ✓ The dividing and combining valves are designed to separate the flow in the hydraulic system on two equal passages which pass equally in the return line. In that way synchronized movement is obtained for operating the actuator in both directions.

DIMENSIONS



TYPE FDC10	V	C1	C2
FDC10 38-12	G3/8"	G3/8"	G3/8"
FDC10 38-24	G3/8"	G3/8"	G3/8"
FDC10 12-40	G1/2"	G3/8"	G3/8"

TYPE FDC20	V	C1	C2
FDC20 34-90	G3/4"	G1/2"	G1/2"
FDC20 100-150	G1"	G3/4"	G3/4"

ORDERING CODE

FDC * * * * * - * * *

Dividing and combining valve

Modifications:

-10

-20

Connection "V" threads:

G3/8"-38

G1/2"-12

G3/4"-34

G1"-100

Flow rate range: modification - 10

4...12 l/min - 12

12...24 l/min - 24

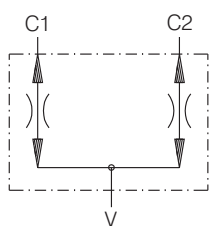
24...40 l/min - 40

modification - 20

40... 90 l/min - 90

80...150 l/min - 150

SYMBOL



TECHNICAL DATA

Max. Pressure		210 bar
Input flow	FDC10 38-12	4...12 l/min
	FDC10 38-24	12...24 l/min
	FDC10 12-40	24...40 l/min
	FDC20 34-90	40... 90 l/min
	FDC20 100-150	80...150 l/min
Accuracy at pressure diff. 12 MPa between C1 and C2 - ΔQ		±5%
Working liquid-hydraulic oils with characteristics:		
-viscosity		10...400 cSt
-degree of filtration		0,025 mm
-temperature		-20... +80°C

VALVE APPLICATIONS

HYDRAULIC POWER PACKS

FEATURES

- ✓ Compact power units design.
- ✓ Right power pack size for each application and suitable circuit.
- ✓ Required functions for all control problems.
- ✓ Stable steel reservoir with visual oil level, filling plug with air filter and drain plug.
- ✓ Suitable devices for all additional requests such as e.g. accumulator; heat exchangers; level, pressure and filtration supervising apparatus etc.
- ✓ Arrangement for service maintenance.
- ✓ Individual adjustment is possible.
- ✓ Additional options at request.

TECHNICAL DATA

Drive power units supply hydraulic consumers for various application. Customized hydraulic power units are consisted of:

- Electric motor: three phases, V220/380, 50Hz, shape V1, B5 or B3/B5, B14 and power from 0,37 to 18,5kW.
- Hydraulic external gear pump: displacement from 1 to 60cm³, pressure - up to 250bar.
- Reservoir with capacity: from 20 to 400 liters or more.
- Manifolds for distribution and regulation of hydraulic power according to the specific application.

Customized circuits can be easily realized by means of modular plates, modular valves - size 06 and 10; solenoid valves and directional control valves.

Installation position	horizontal
-electric motor with vertical axis and pump submersed -electric motor installed on the reservoir cover with horizontal axis and pump	
Ambient temperature	-20... +70°C
Working liquid-hydraulic oils with parameters:	
-viscosity	10...400 cSt
-recommended viscosity	20...80 cSt
-degree of filtration	0,025 mm
-temperature	up to 80°C
-fluid contamination class	ISO 19/16

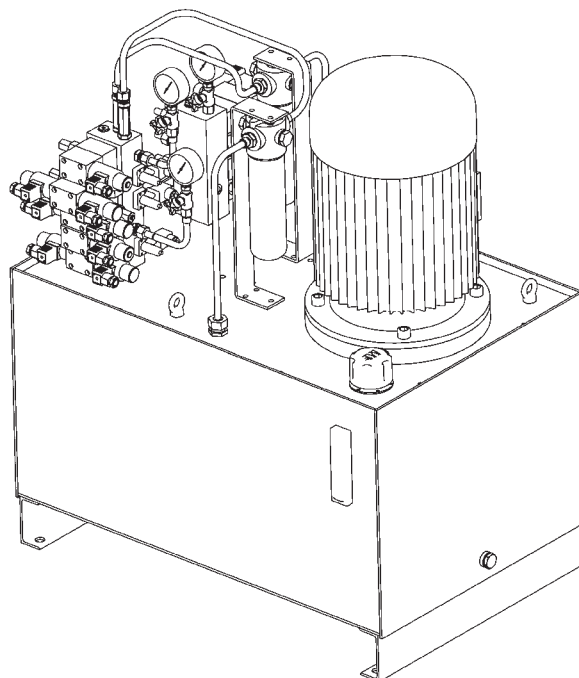
DESCRIPTION

Hydraulic power pack supply 6 consumers:

- el. motor power - 7,5kW
- triple pump - 20/16/16 l/min
- reservoir - 200 l

Manifold with modular valves size 06.
Pressure filter
Glycerin filled pressure gauge with shut-off valve;
Pressure indicators.

CUSTOMIZED POWER PACK FOR SPECIFIC APPLICATIONS

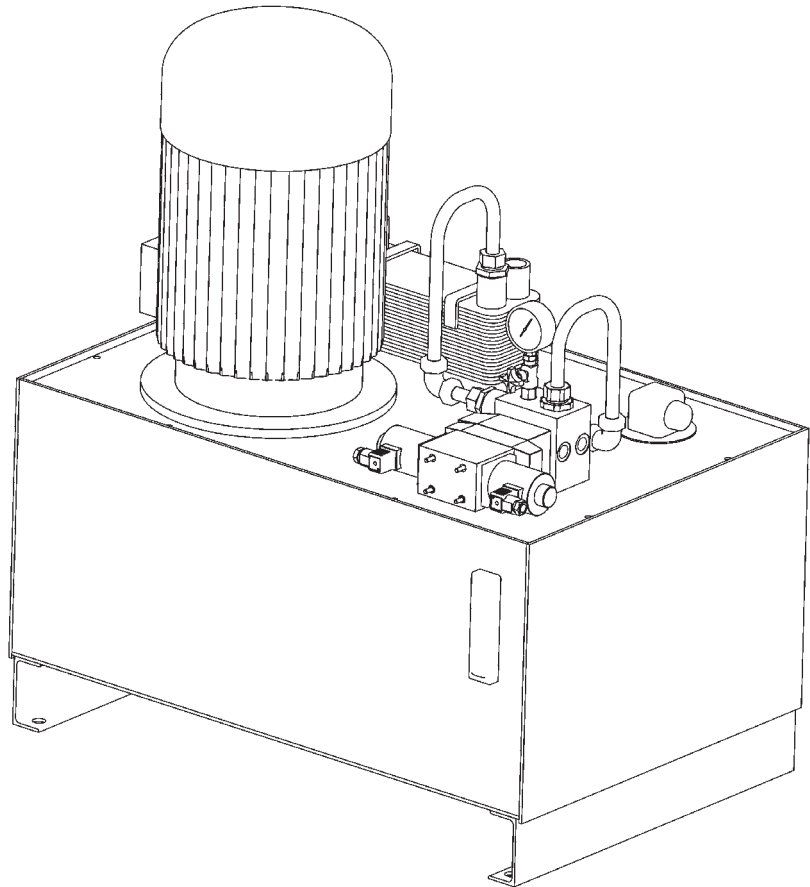


DESCRIPTION

CUSTOMIZED POWER PACK FOR SPECIFIC APPLICATIONS

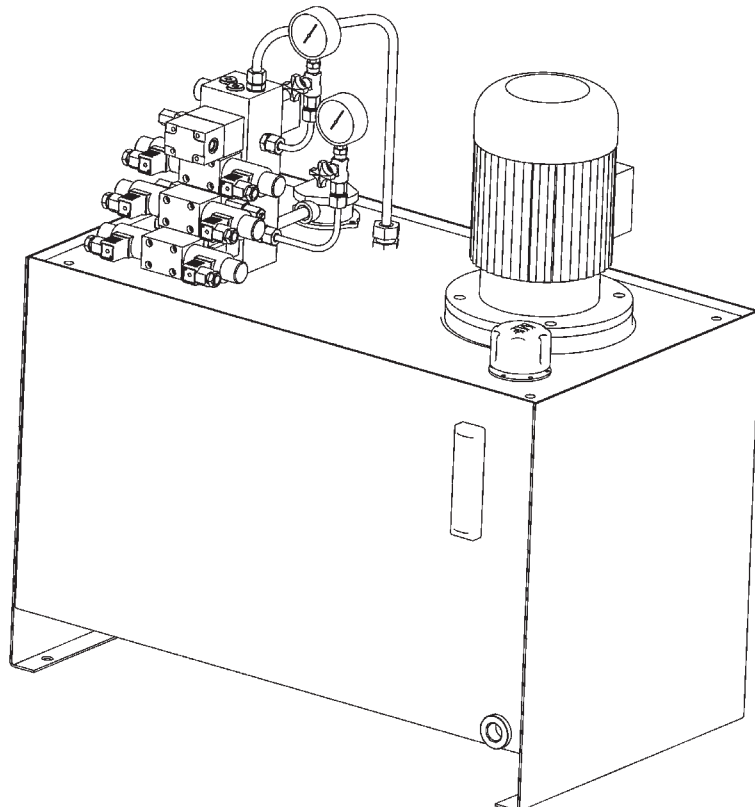
Hydraulic power pack
for 1 consumer.

- el. motor power -18,5kW
- pump - 42 l/min
- reservoir - 150 l
- heat exchanger with
water circulation.



Hydraulic power pack
for 3 consumers.

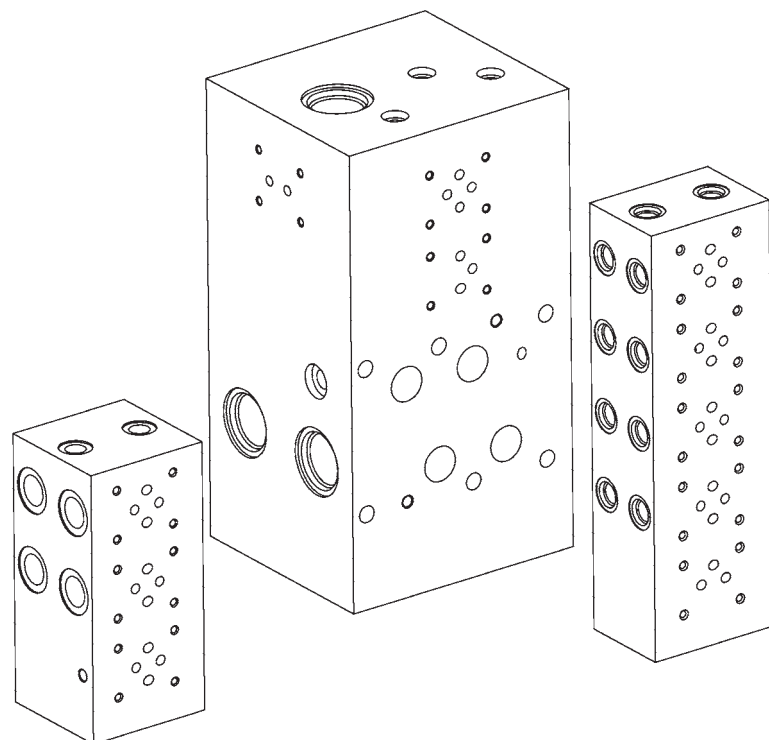
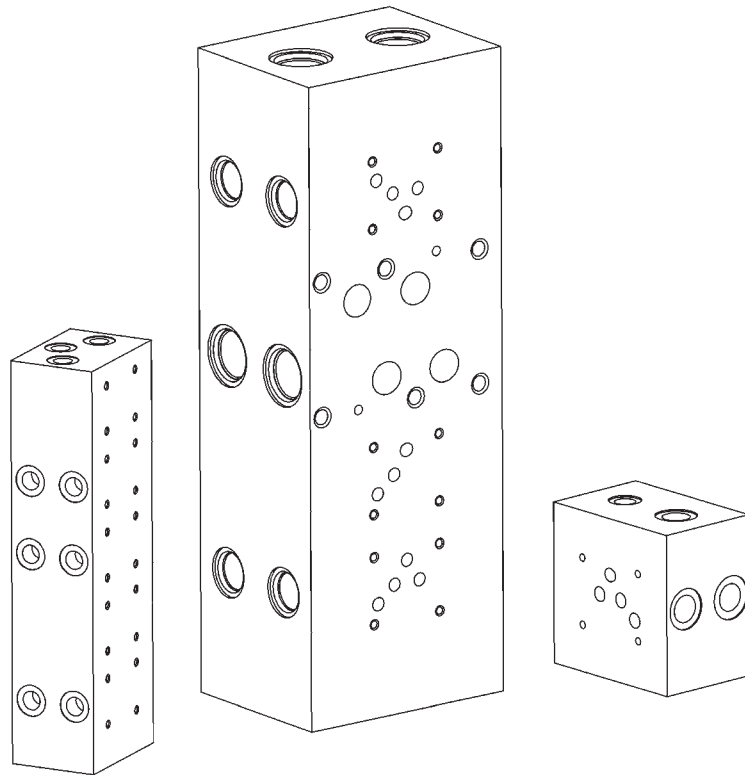
- el. motor power - 3kW
- tandem pump -
16/7 l/min
- reservoir - 150 l
- return line filter



DESCRIPTION

- ✓ Customized manifolds , best suited to customer needs.
- ✓ Realized for wide range modular valves - Cetop 3 ; Cetop 5 ; Cetop 7 (NG 6 ; NG 10 ; NG 16).
- ✓ Designed for concrete applications and best operation of the machine.
- ✓ Material: steel , cast iron , aluminium.
- ✓ Dimensions: Over all dimensions are not according to standard. The optimal dimensions depend on the complexity of the realized scheme/function.
- ✓ Port threads P , T , A , B : metric (inche) on request.

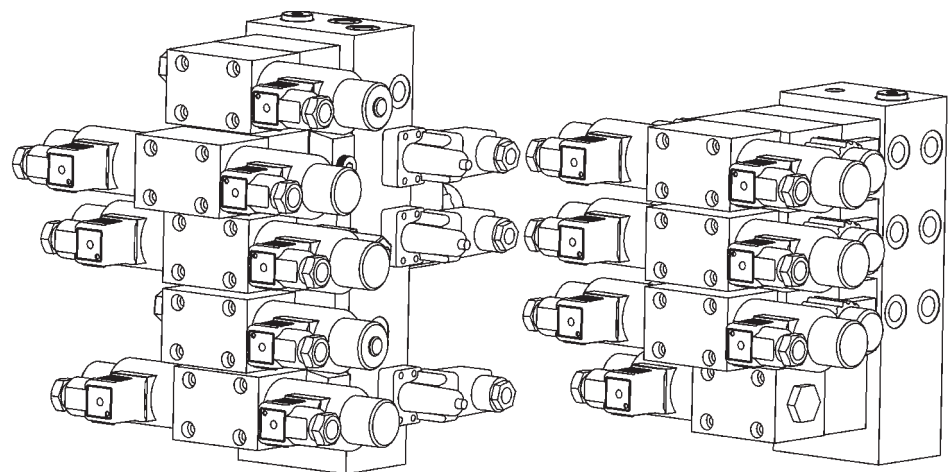
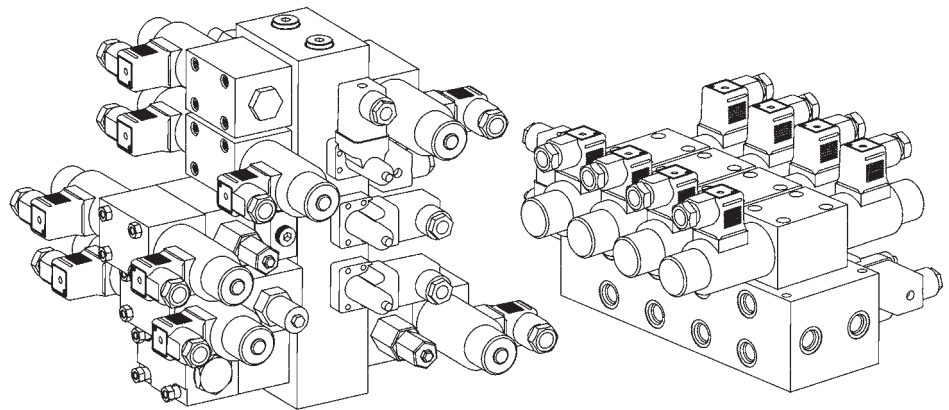
MANIFOLDS



DESCRIPTION

- ✓ Tailored for concrete applications and specific requirements.
- ✓ Tested and preset for integration in the hydraulic systems.
- ✓ The modular conception of manifolds assembly ensures reliability of the systems , easy assembly , operation and service.

MANIFOLDS ASSEMBLY



Bulmach.pl

Bulmach.pl

APPENDIX

CONVERSION TABLE

Unit	≈	Factor	x	Unit
1 in	≈	25.4		mm
1 PSI	≈	0.07		bar
1 USGPM	≈	3.79		l/min
1 in ³	≈	16.66		cm ³
1 cSt	≈	1		mm ² /s
1 lbft	≈	1.347		Nm
5(°F-32)/9	≈	1		°C

ADDITIONAL INFORMATION

All specifications , descriptions and illustrations contained herein , refer to the products at the time of printing. "CAPRONI" reserves its right to discontinue models , modify or revise the specifications without notice. For current information contact our distributors or local office. Additional functional symbols can be given in case of request.

Bulmach.pl