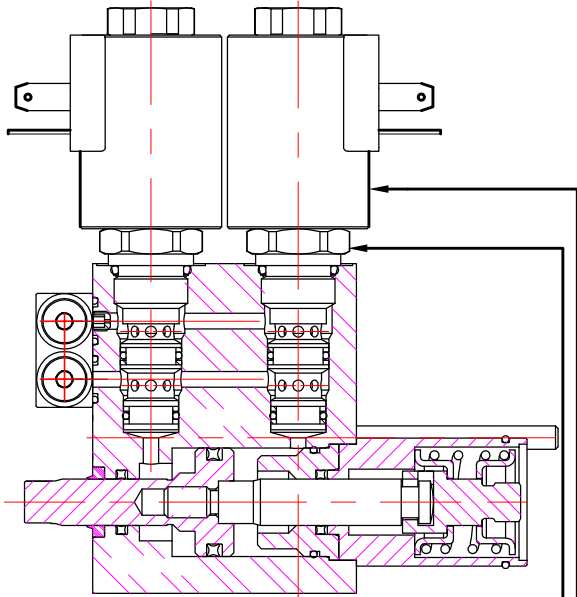
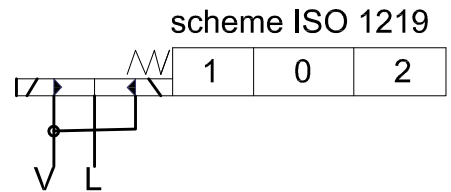
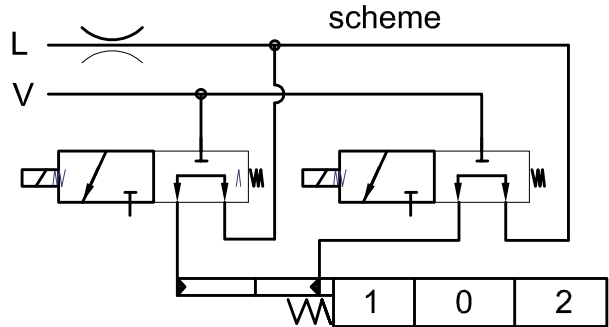


Распределитель гидравлический PC 100
Directional control valve PC 100

ED3 – electro-hydraulic control ON-OFF
 Электрогидравлический контрол ON-OFF

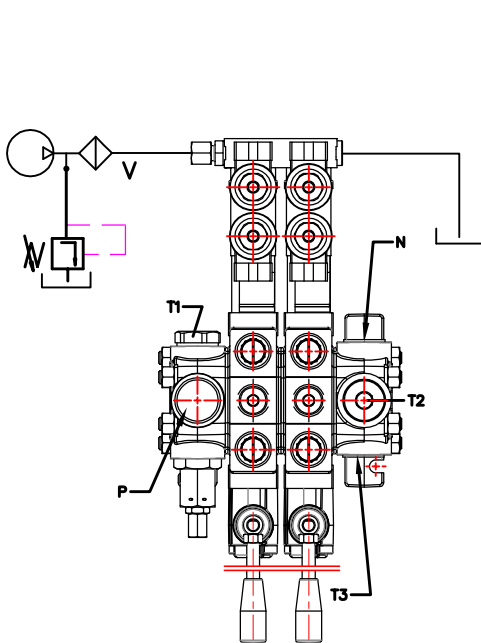


Ordering codes
 3-wai solenoid valve-LSV2-08-3C-NNN
 coil LC2-08-C-1H-(12VDC)
 coil LC2-08-C-2H-(24VDC)

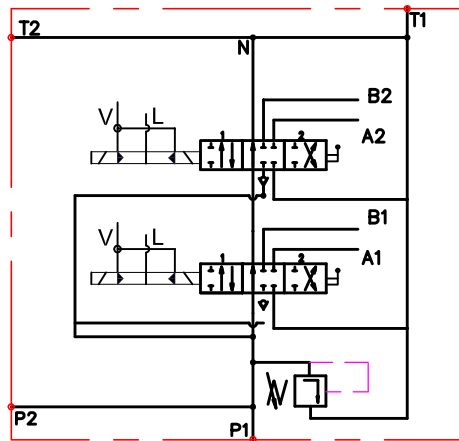


Operating pressure min 10 bar(145 psi)
 max 50 bar(725 psi)
Max operating pressure in L (T line) 25 bar(360 psi)
Solenoid operating features
Nominal voltage tolerance ±10%
Power rating 24W
Duty cycle 100 %

With collector kit for external pilot and drain – CEED...(1,2,3 ...)
 Коллектор для внешнего питания управления и слив



2PC100/N2/1/PAED3/PAED3 /G/KZ1/T2/CEED2/12VDC



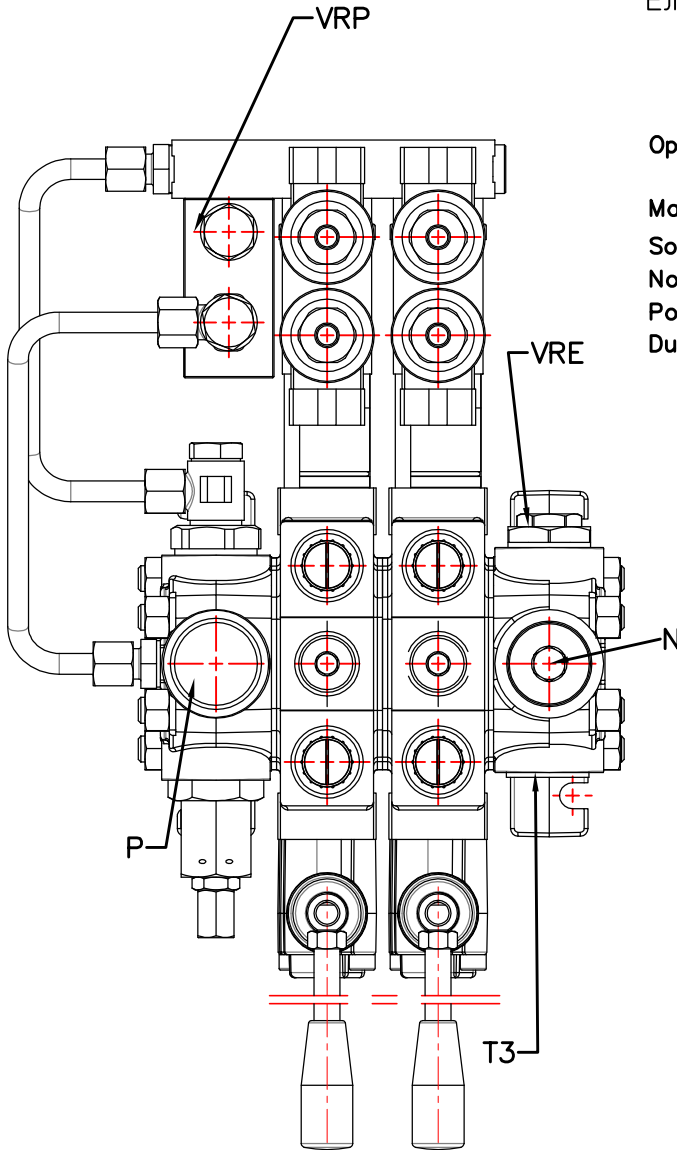
Ordering example
 2PC100/N2/1/PAED3/PAED3 /G/KZ1/T2/CEED2/12VDC

Ordering codes – collector kits

- CEED1PC70 Kit for 1 section
- CEED2PC70 Kit for 2 section
- CEED3PC70 Kit for 3 section
- CEED4PC70 Kit for 4 sektion
-

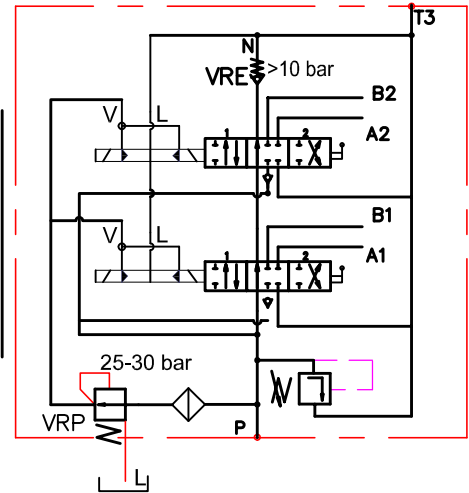
Распределитель гидравлический PC 100
Directional control valve PC 100

ED3 – electro-hydraulic control ON-OFF
 Электрогидравлический контрол ON-OFF



Operating pressure min 10 bar(145 psi)
 max 50 bar(725 psi)
Max operating pressure in L (T line) 25 bar(360 psi)
Solenoid operating features
Nominal voltage tolerance ±10%
Power rating 24W
Duty cycle 100 %

2PC100/N2/VRP/1/PAED3/PAED3/T3/G/KZ1/CED2/VRE/12VDC



Ordering example

2PC100/N2/VRP/1/PAED3/PAED3/T3/G/KZ1/CED2/VRE/12VDC

Colector kit – **Ordering codes**
 BSP threads
 CED1PC70 Kit for 1 section
 CED2PC70 Kit for 2 section
 CED3PC70 Kit for 3 section
 CED4PC70 Kit for 4 sektion

Back pressure valve VRE-PC70
 Клапан подпорный на слив

