

# Design of PBA Pumps



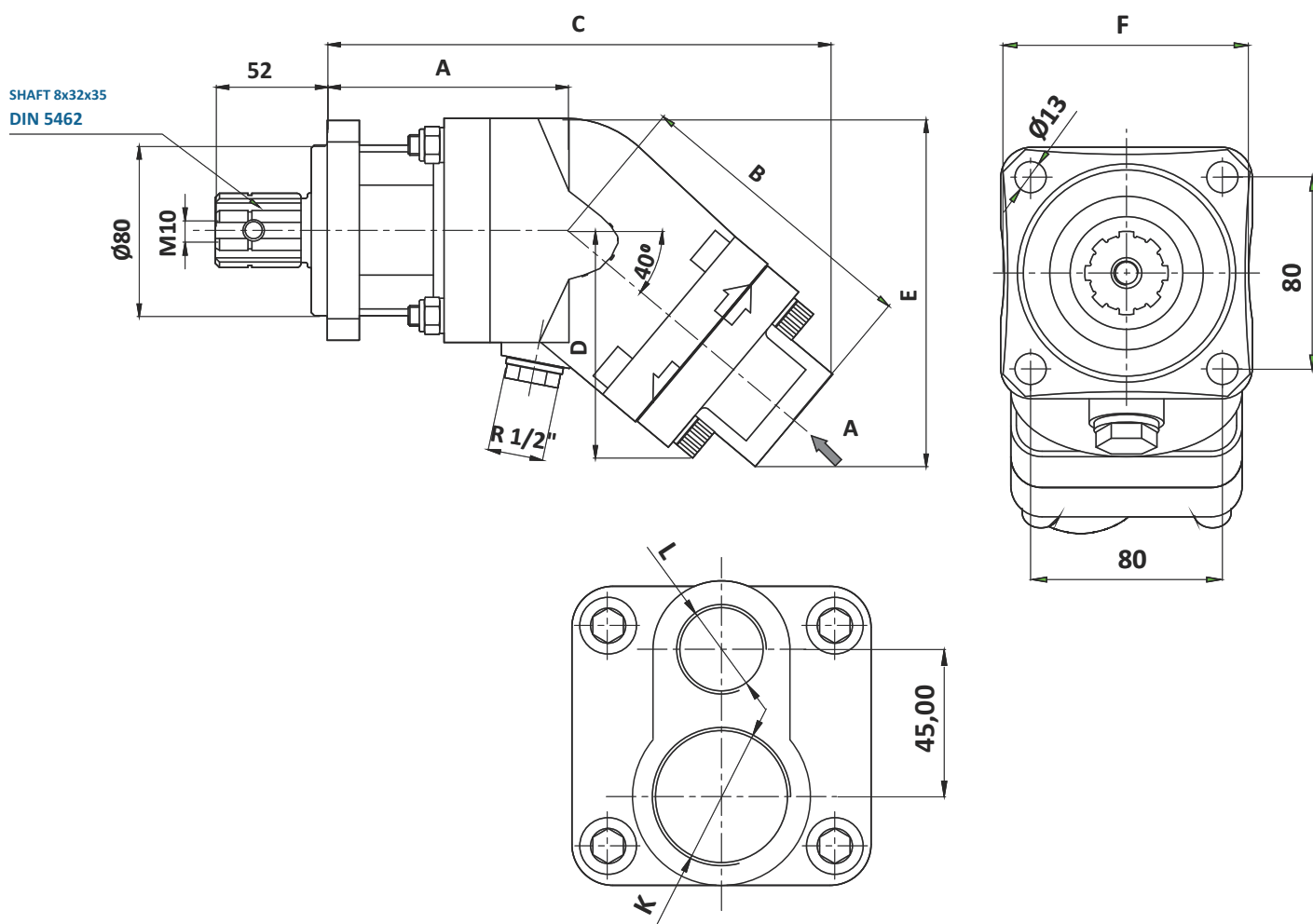
# Range and Characteristics



Pump Type	Displacement <sup>cc</sup>	Max. <sup>l(min<sup>3</sup>)</sup> Continuous Speed	Min. <sup>l(min<sup>3</sup>)</sup> Intermittent Speed	Max. <sup>l(min<sup>3</sup>)</sup> Intermittent Speed	Max. <sup>bar</sup> Continuous Pressure	Max. <sup>bar</sup> Intermittent Pressure	Max. <sup>bar</sup> Peak Pressure	Weight <sup>kg</sup> without inlet fitting	Weight <sup>kg</sup> with inlet fitting
PBA 17	17,00	2225	300	2500	400/5801	-	450/6525	8,00	8,35
PBA 25	25,40	2300	300	2700	400/5801	-	450/6525	9,00	9,35
PBA 35	35,40	2250	300	2600	400/5801	-	450/6525	13,00	13,40
PBA 45	45,40	2100	300	2500	400/5801	-	450/6525	14,00	14,40
PBA 55	54,80	2050	300	2500	350/5076	-	400/5800	15,00	15,40
PBA 65	63,80	2000	300	2400	350/5076	-	400/5800	15,00	15,40
PBA 85	85,30	1900	300	2250	350/5076	-	400/5800	17,50	17,90
PBA 105	105,80	1900	300	2250	350/5076	-	400/5800	18,00	18,50

Pump Type	A	B	C	D	E	F	K (oil inlet)	L (oil outlet)	Fluid	Rotation
PBA 17	90,00	120,00	220,00	90,00	140,00	80,00	R1 1/4"	R 3/4"	Mineral based hydraulic oils	CW-CCW
PBA 25	95,00	120,00	220,00	90,00	140,00	80,00	R1 1/4"	R 3/4"		CW-CCW
PBA 35	110,00	135,00	235,00	105,00	160,00	100,00	R1 1/4"	R 3/4"		CW-CCW
PBA 45	110,00	135,00	235,00	105,00	160,00	100,00	R1 1/4"	R 3/4"		CW-CCW
PBA 55	113,00	150,00	251,00	115,00	160,00	108,00	R1 1/4"	R 3/4"		CW-CCW
PBA 65	113,00	150,00	251,00	115,00	160,00	108,00	R1 1/4"	R 3/4"		CW-CCW
PBA 85	125,00	160,00	295,00	128,00	190,00	115,00	R1 1/2"	R 1"		CW-CCW
PBA 105	125,00	160,00	295,00	128,00	190,00	115,00	R1 1/2"	R 1"		CW-CCW

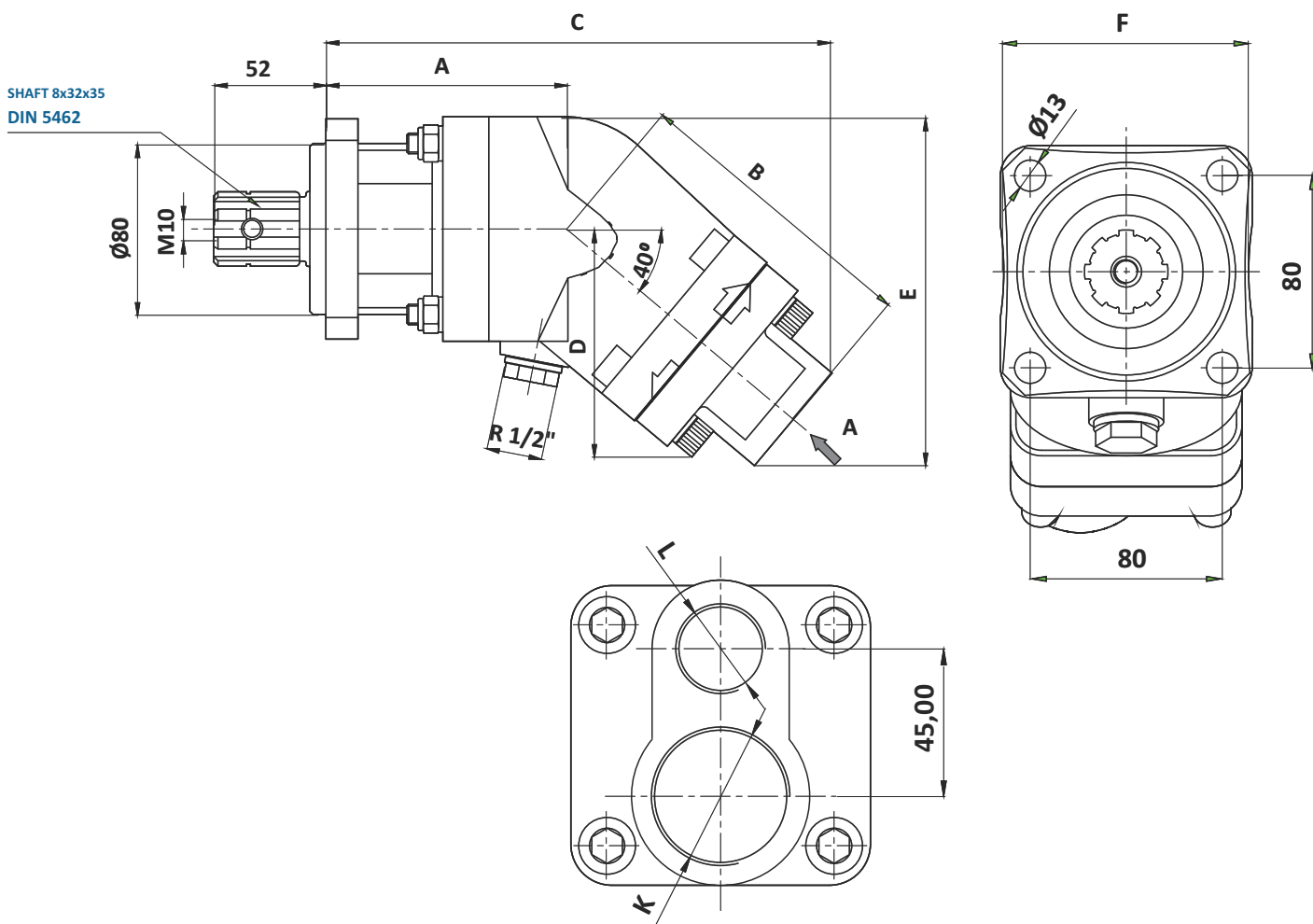
# PBA 17 cc



Pump Type	Displacement <sup>cc</sup>	Max. Continuous Speed <sup>rpm</sup>	Min. Intermittent Speed <sup>rpm</sup>	Max. Intermittent Speed <sup>rpm</sup>	Max. Continuous Pressure <sup>bar</sup>	Max. Intermittent Pressure <sup>bar</sup>	Max. Peak Pressure <sup>bar</sup>	Weight without inlet fitting <sup>kg</sup>	Weight with inlet fitting <sup>kg</sup>
PBA 17	17,00	2225	300	2500	400/5801	-	450/6525	8,00	8,35

Pump Type	A	B	C	D	E	F	K (oil inlet)	L (oil outlet)	Fluid	Rotation
PBA 17	90,00	120,00	220,00	90,00	140,00	80,00	R1 1/4"	R 3/4"	Mineral based hydraulic oils	CW-CCW

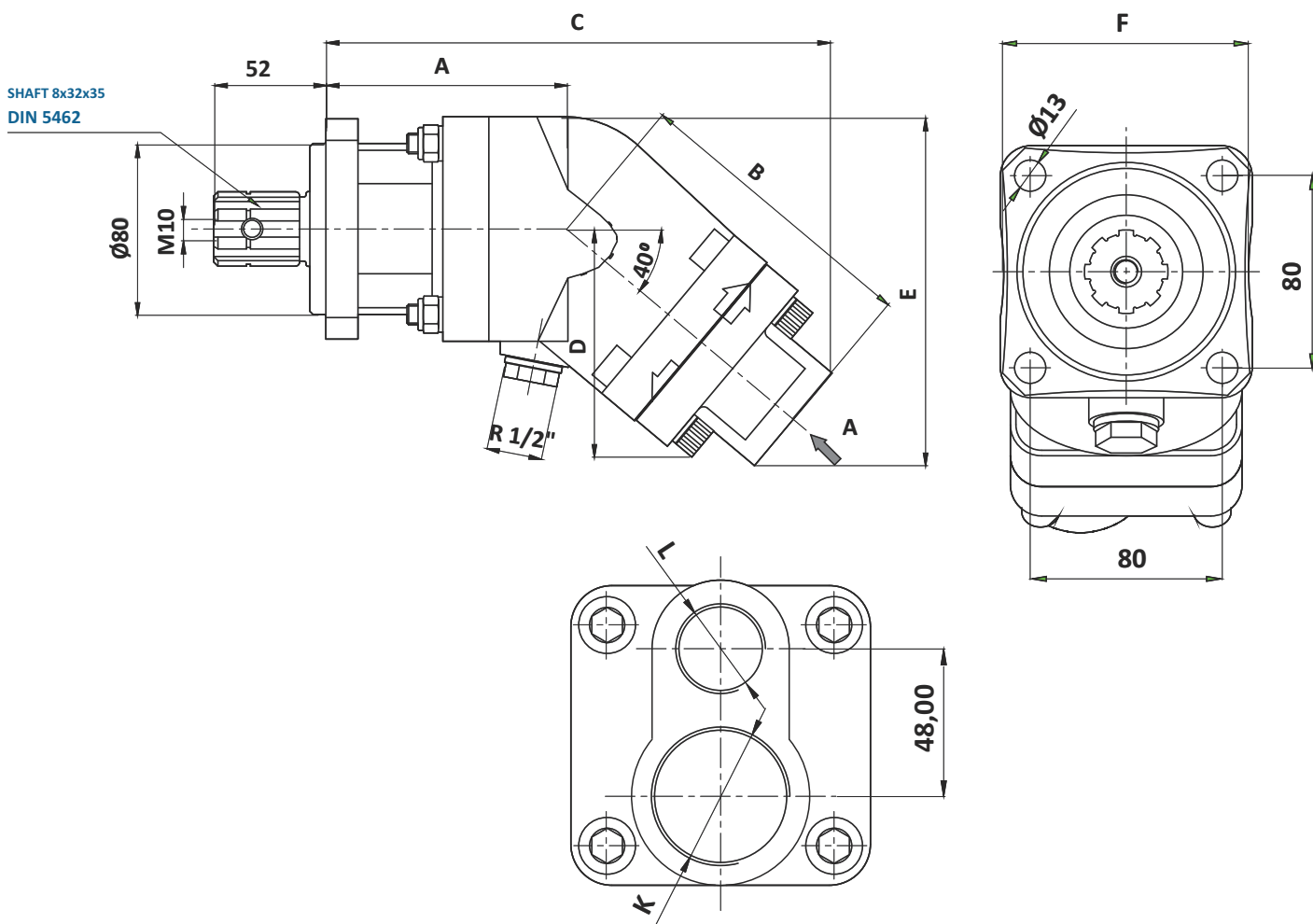
# PBA 25 cc



Pump Type	Displacement <sup>cc</sup>	Max. Continuous Speed <sup>rpm</sup>	Min. Intermittent Speed <sup>rpm</sup>	Max. Intermittent Speed <sup>rpm</sup>	Max. Continuous Pressure <sup>bar</sup>	Max. Intermittent Pressure <sup>bar</sup>	Max. Peak Pressure <sup>bar</sup>	Weight without inlet fitting <sup>kg</sup>	Weight with inlet fitting <sup>kg</sup>
PBA 25	25,40	2300	300	2700	400/5801	-	450/6525	9,00	9,35

Pump Type	A	B	C	D	E	F	K (oil inlet)	L (oil outlet)	Fluid	Rotation
PBA 25	95,00	120,00	220,00	90,00	140,00	80,00	R1 1/4"	R 3/4"	Mineral based hydraulic oils	CW-CCW

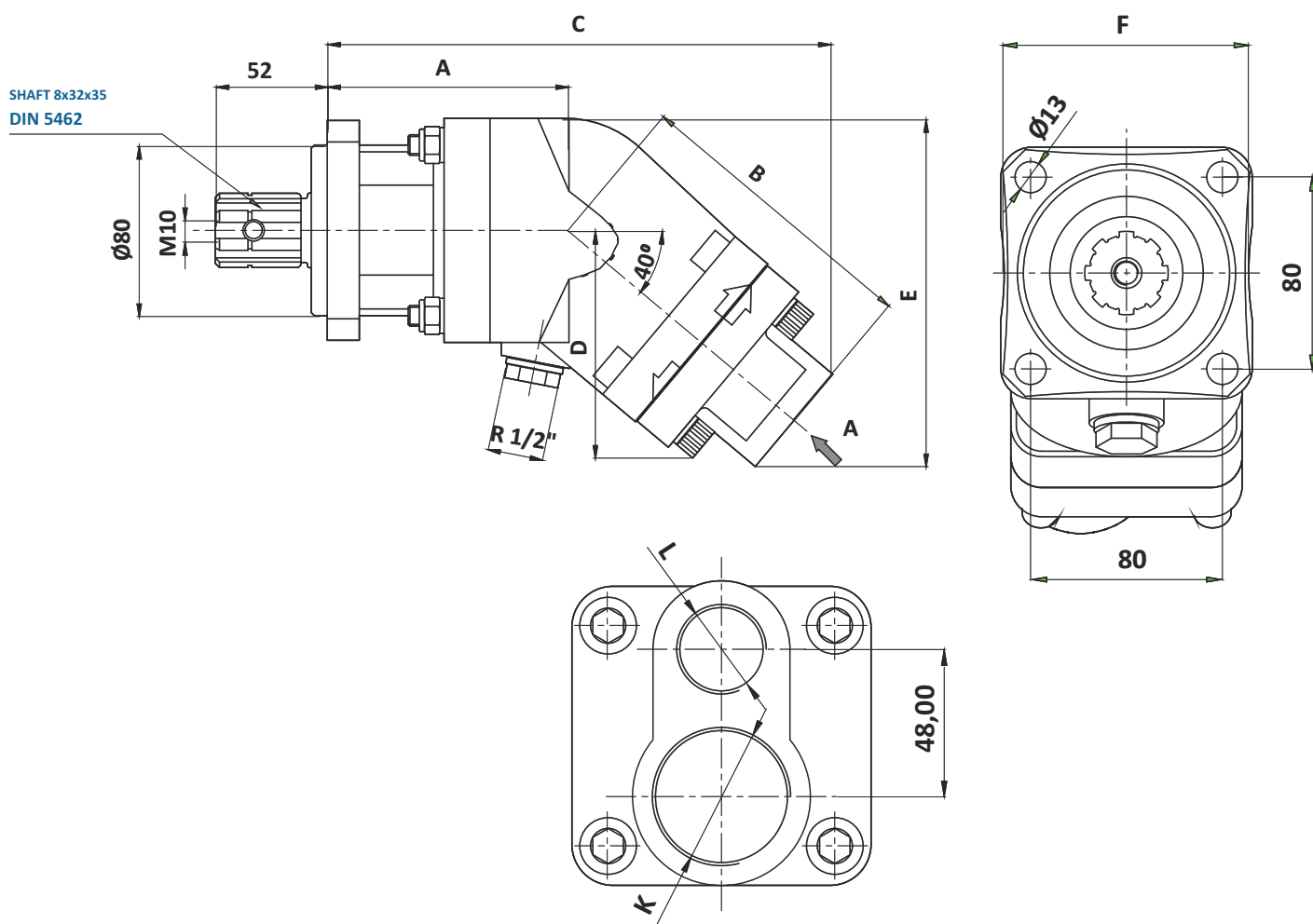
# PBA 35 cc



Pump Type	Displacement <sup>cc</sup>	Max. Continuous Speed <sup>rpm</sup>	Min. Intermittent Speed <sup>rpm</sup>	Max. Intermittent Speed <sup>rpm</sup>	Max. Continuous Pressure <sup>bar</sup>	Max. Intermittent Pressure <sup>bar</sup>	Max. Peak Pressure <sup>bar</sup>	Weight without inlet fitting <sup>kg</sup>	Weight with inlet fitting <sup>kg</sup>
PBA 35	35,40	2250	300	2600	400/5801	-	450/6525	13,00	13,40

Pump Type	A	B	C	D	E	F	K (oil inlet)	L (oil outlet)	Fluid	Rotation
PBA 35	110,00	135,00	235,00	105,00	160,00	100,00	R1 1/4"	R 3/4"	Mineral based hydraulic oils	CW-CCW

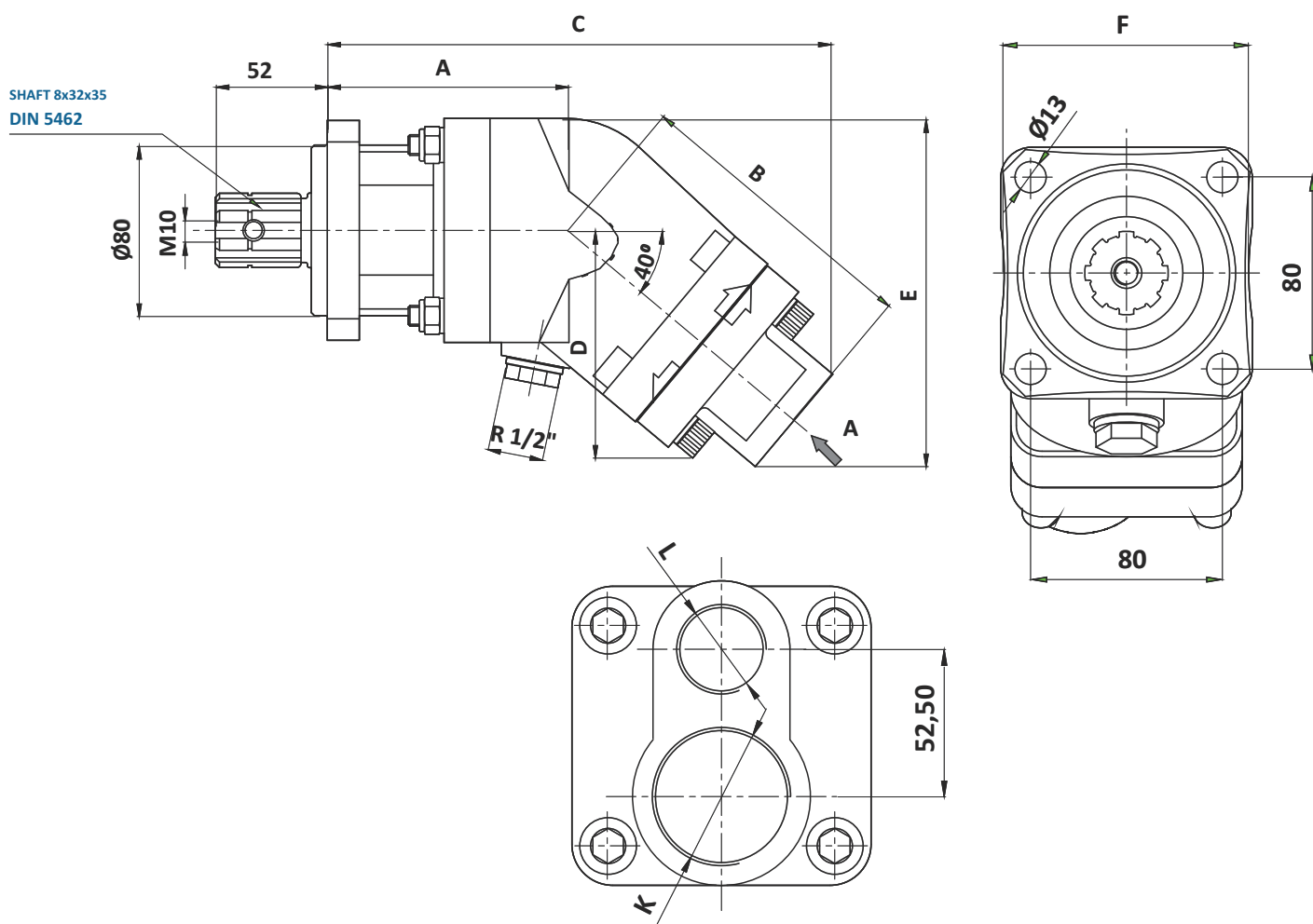
# PBA 45 cc



Pump Type	Displacement <sup>cc</sup>	Max. Continuous Speed <sup>rpm</sup>	Min. Intermittent Speed <sup>rpm</sup>	Max. Intermittent Speed <sup>rpm</sup>	Max. Continuous Pressure <sup>bar</sup>	Max. Intermittent Pressure <sup>bar</sup>	Max. Peak Pressure <sup>bar</sup>	Weight without inlet fitting <sup>kg</sup>	Weight with inlet fitting <sup>kg</sup>
PBA 45	45,40	2100	300	2500	400/5801	-	450/6525	14,00	14,40

Pump Type	A	B	C	D	E	F	K (oil inlet)	L (oil outlet)	Fluid	Rotation
PBA 45	110,00	135,00	235,00	105,00	160,00	100,00	R1 1/4"	R 3/4"	Mineral based hydraulic oils	CW-CCW

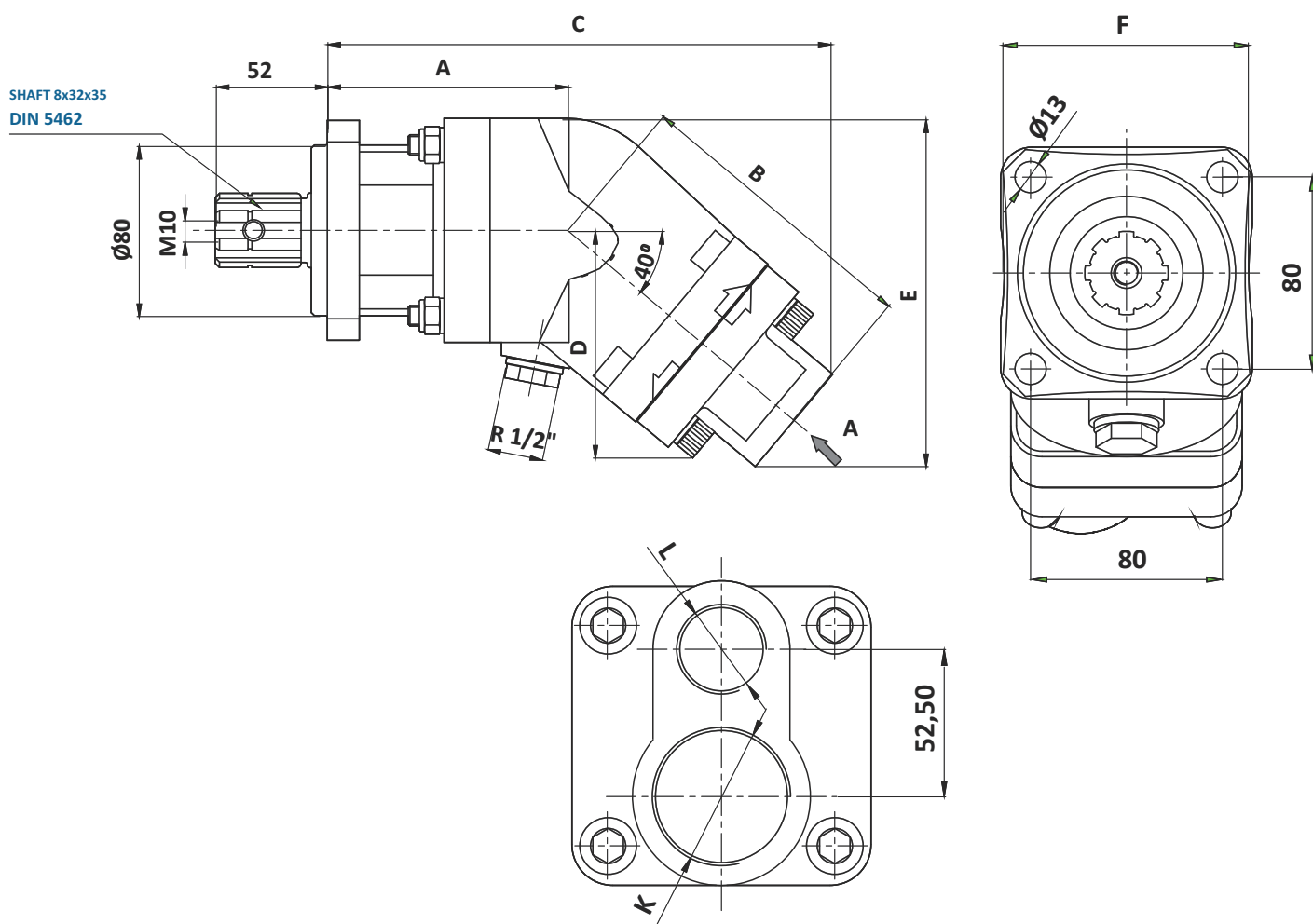
# PBA 55 cc



Pump Type	Displacement <sup>cc</sup>	Max. Continuous Speed <sup>rpm</sup>	Min. Intermittent Speed <sup>rpm</sup>	Max. Intermittent Speed <sup>rpm</sup>	Max. Continuous Pressure <sup>bar</sup>	Max. Intermittent Pressure <sup>bar</sup>	Max. Peak Pressure <sup>bar</sup>	Weight without inlet fitting <sup>kg</sup>	Weight with inlet fitting <sup>kg</sup>
PBA 55	54,80	2050	300	2500	350/5076	-	400/5800	15,00	15,40

Pump Type	A	B	C	D	E	F	K (oil inlet)	L (oil outlet)	Fluid	Rotation
PBA 55	113,00	150,00	251,00	115,00	160,00	108,00	R1 1/4"	R 3/4"	Mineral based hydraulic oils	CW-CCW

# PBA 65 cc

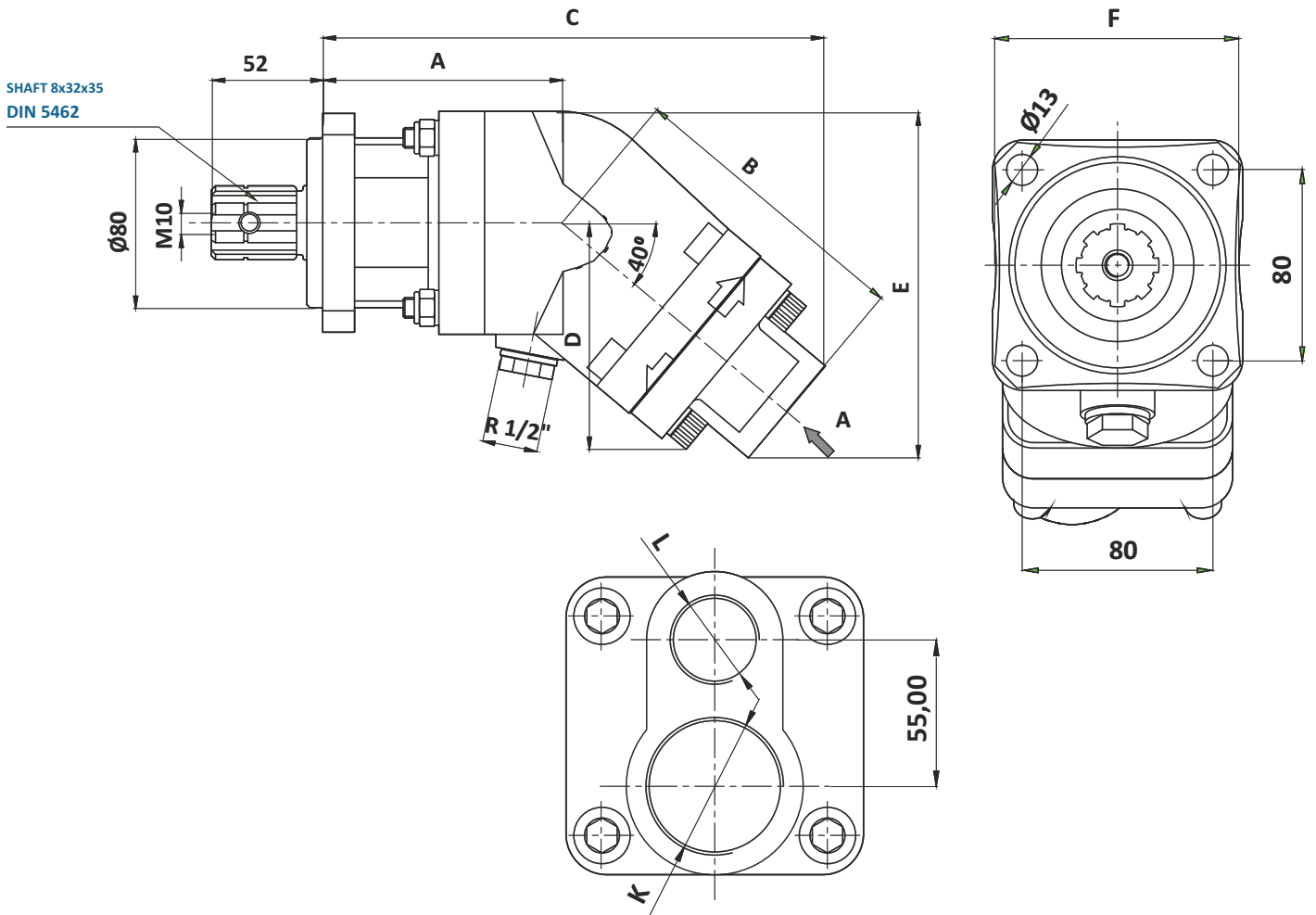


Pump Type	Displacement <sup>cc</sup>	Max. $n$ (min <sup>1</sup> ) Continuous Speed	Min. $n$ (min <sup>1</sup> ) Intermittent Speed	Max. $n$ (min <sup>1</sup> ) Intermittent Speed	Max. Continuous Pressure <sup>bar</sup>	Max. Intermittent Pressure <sup>bar</sup>	Max. Peak Pressure <sup>bar</sup>	Weight without inlet fitting <sup>kg</sup>	Weight with inlet fitting <sup>kg</sup>
PBA 65	63,80	2000	300	2400	350/5076	-	400/5800	15,00	15,40

Pump Type	A	B	C	D	E	F	K (oil inlet)	L (oil outlet)	Fluid	Rotation
PBA 65	113,00	150,00	251,00	115,00	160,00	108,00	R1 1/4"	R 3/4"	Mineral based hydraulic oils	CW-CCW



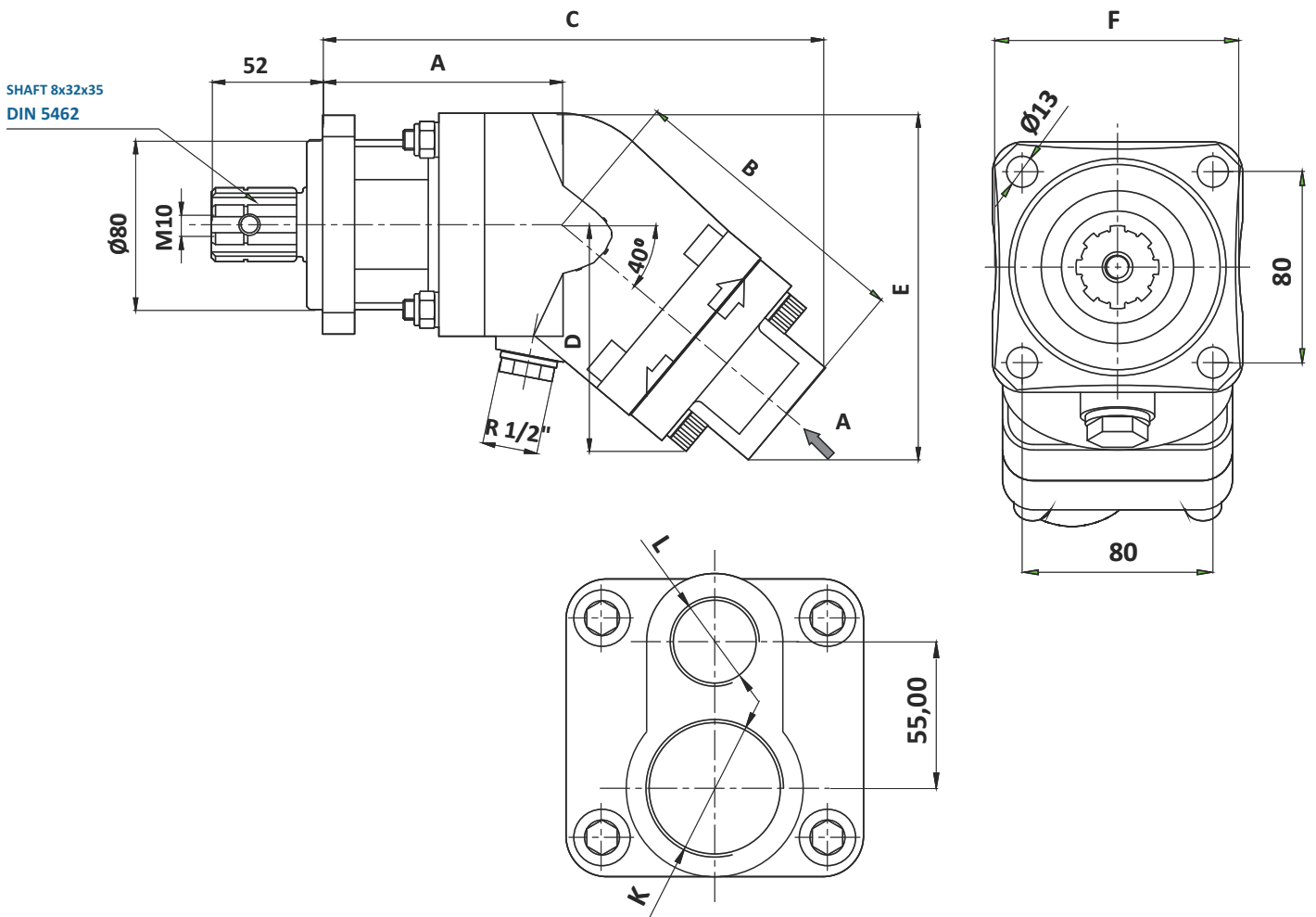
# PBA 85 cc



Pump Type	Displacement <sup>cc</sup>	Max. Continuous Speed <sup>rpm</sup>	Min. Intermittent Speed <sup>rpm</sup>	Max. Intermittent Speed <sup>rpm</sup>	Max. Continuous Pressure <sup>bar</sup>	Max. Intermittent Pressure <sup>bar</sup>	Max. Peak Pressure <sup>bar</sup>	Weight without inlet fitting <sup>kg</sup>	Weight with inlet fitting <sup>kg</sup>
PBA 85	85,30	1900	300	2250	350/5076	-	400/5800	17,50	17,90

Pump Type	A	B	C	D	E	F	K (oil inlet)	L (oil outlet)	Fluid	Rotation
PBA 85	125,00	160,00	295,00	128,00	190,00	115,00	R1 1/2"	R 1"	Mineral based hydraulic oils	CW-CCW

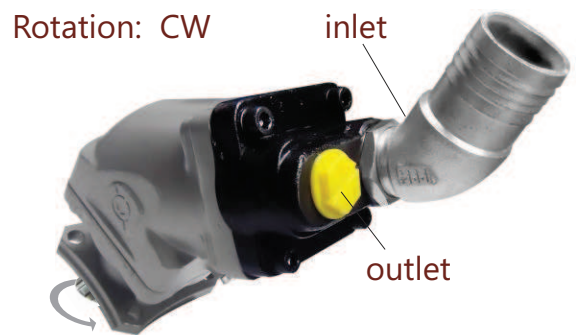
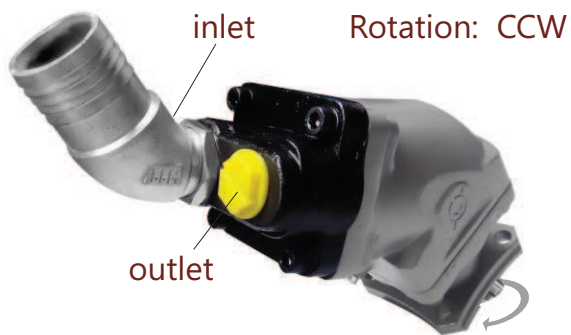
# PBA 105 cc



Pump Type	Displacement <sup>cc</sup>	Max. $n$ (min <sup>1</sup> ) Continuous Speed	Min. $n$ (min <sup>1</sup> ) Intermittent Speed	Max. $n$ (min <sup>1</sup> ) Intermittent Speed	Max. Continuous Pressure <sup>bar</sup>	Max. Intermittent Pressure <sup>bar</sup>	Max. Peak Pressure <sup>bar</sup>	Weight without inlet fitting <sup>kg</sup>	Weight with inlet fitting <sup>kg</sup>
PBA 105	105,80	1900	300	2250	350/5076	-	400/5800	18,00	18,50

Pump Type	A	B	C	D	E	F	K (oil inlet)	L (oil outlet)	Fluid	Rotation
PBA 105	125,00	160,00	295,00	128,00	190,00	115,00	R1 1/2"	R 1"	Mineral based hydraulic oils	CW-CCW

# Direction of Rotation



# Accessories of PBA Pumps



Suction  
Fittings



ISO - UNI  
Adapters



Couplers  
Flanges



By-Pass  
Valve