

# Design of 2PBA Pumps



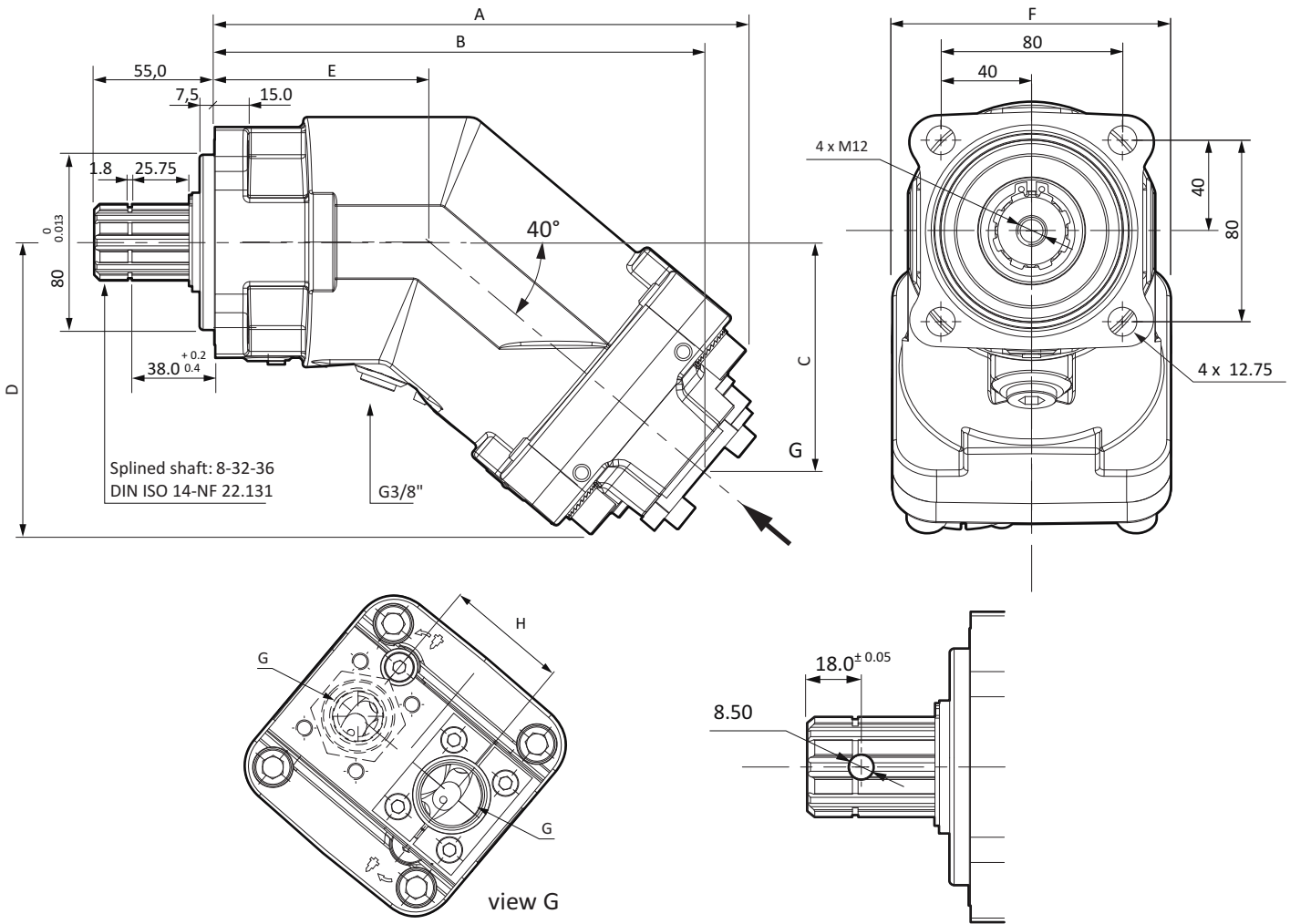
# Range and Characteristics



Pump Type	Displacement <sup>cc</sup>	Max. Continuous Pressure <sup>bar</sup>	Min. Intermittent P. Pressure <sup>bar</sup>	Max. Rotating Speed <sup>rpm</sup>	Max. Torque <sup>Nm</sup>	Max. Intermittent Pressure	Weight without inlet fitting <sup>kg</sup>	Weight with inlet fitting <sup>kg</sup>	Torque without inlet fitting <sup>kg</sup>	Torque with inlet fitting <sup>kg</sup>
2PBA 18	17,80	350	400	2500	105	-	9,00	9,40	8,75	9,19
2PBA 25	24,50	350	400	2500	146	-	9,50	9,90	8,82	9,23
2PBA 35	34,70	350	400	2500	190	-	10,50	10,90	11,00	11,52
2PBA 45	42,20	350	400	2400	240	-	10,50	10,90	11,12	11,40
2PBA 55	54,80	350	400	2400	296	-	11,00	11,40	11,72	12,20
2PBA 63	67,40	350	400	2200	360	-	11,50	11,90	11,77	12,23
2PBA 85	85,20	350	400	2250	460	-	15,00	15,40	17,80	18,33
2PBA 108	108,70	350	400	1900	620	-	15,50	15,90	17,92	18,45

Pump Type	A	B	C	D	E	F	G	H	Fluid	Rotation
2PBA 18	195,00	176,00	76,00	104,00	80,00	108,00	3/4"	54	Mineral based hydraulic oils	CW-CCW
2PBA 25	195,00	176,00	76,00	104,00	80,00	108,00	3/4"	54		CW-CCW
2PBA 35	202,00	182,00	82,00	108,00	85,00	108,00	3/4"	54		CW-CCW
2PBA 45	202,00	183,00	82,00	108,00	86,00	108,00	3/4"	54		CW-CCW
2PBA 55	215,00	196,00	94,00	118,00	86,00	108,00	3/4"	54		CW-CCW
2PBA 63	215,00	196,00	94,00	118,00	86,00	108,00	3/4"	54		CW-CCW
2PBA 85	242,00	223,00	105,00	132,00	98,00	122,00	1"	60		CW-CCW
2PBA 108	242,00	223,00	105,00	132,00	98,00	122,00	1"	60		CW-CCW

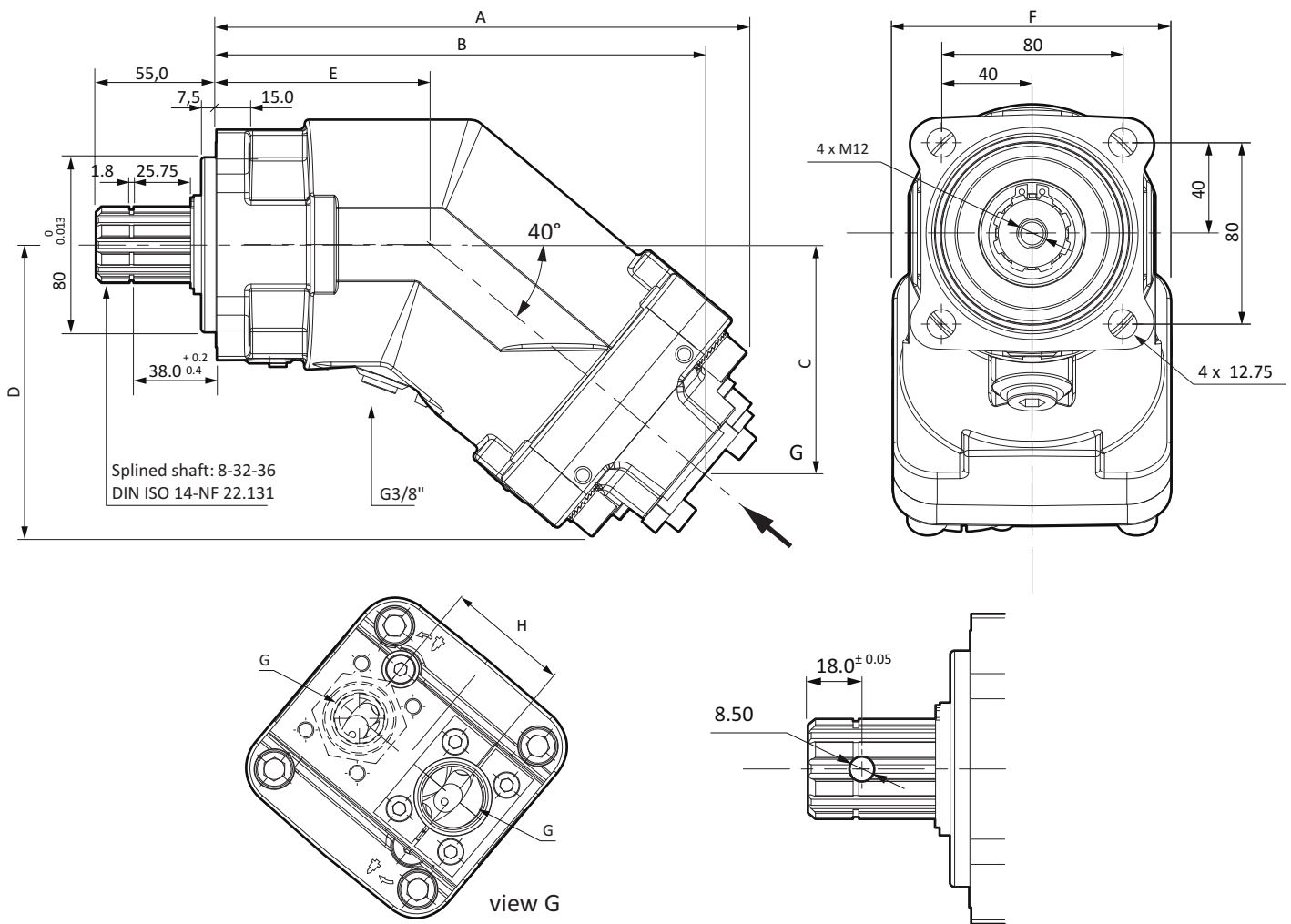
# 2PBA 18 cc



Pump Type	Displacement <sup>cc</sup>	Max. Continuous Pressure <sup>bar</sup>	Min. Intermittent P. Pressure <sup>bar</sup>	Max. Rotating Speed <sup>rpm</sup>	Max. Torque <sup>Nm</sup>	Max. Intermittent Pressure	Weight without inlet fitting <sup>kg</sup>	Weight with inlet fitting <sup>kg</sup>	Torque without inlet fitting <sup>kg</sup>	Torque with inlet fitting <sup>kg</sup>
2PBA 18	17,80	350	400	2500	105	-	9,00	9,40	8,75	9,19

Pump Type	A	B	C	D	E	F	G	H	Fluid	Rotation
2PBA 18	195,00	176,00	76,00	104,00	80,00	108,00	3/4"	54	Mineral based hydraulic oils	CW-CCW

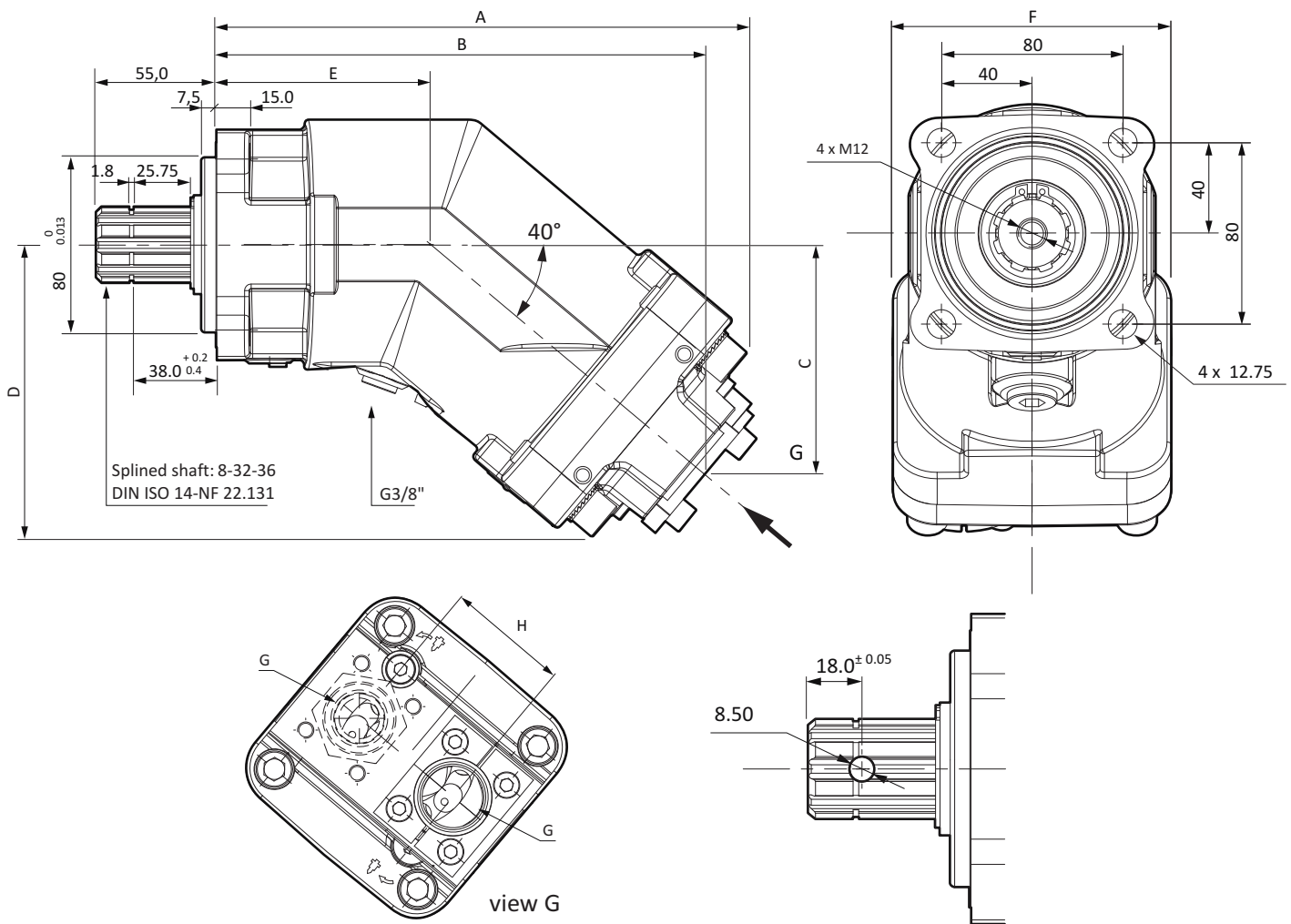
# 2PBA 25 cc



Pump Type	Displacement <sup>cc</sup>	Max. Continuous Pressure <sup>bar</sup>	Min. Intermittent P. Pressure <sup>bar</sup>	Max. Rotating Speed <sup>rpm</sup>	Max. Torque <sup>Nm</sup>	Max. Intermittent Pressure	Weight without inlet fitting <sup>kg</sup>	Weight with inlet fitting <sup>kg</sup>	Torque without inlet fitting <sup>kg</sup>	Torque with inlet fitting <sup>kg</sup>
2PBA 25	24,50	350	400	2500	146	-	9,50	9,90	8,82	9,23

Pump Type	A	B	C	D	E	F	G	H	Fluid	Rotation
2PBA 25	195,00	176,00	76,00	104,00	80,00	108,00	3/4"	54	Mineral based hydraulic oils	CW-CCW

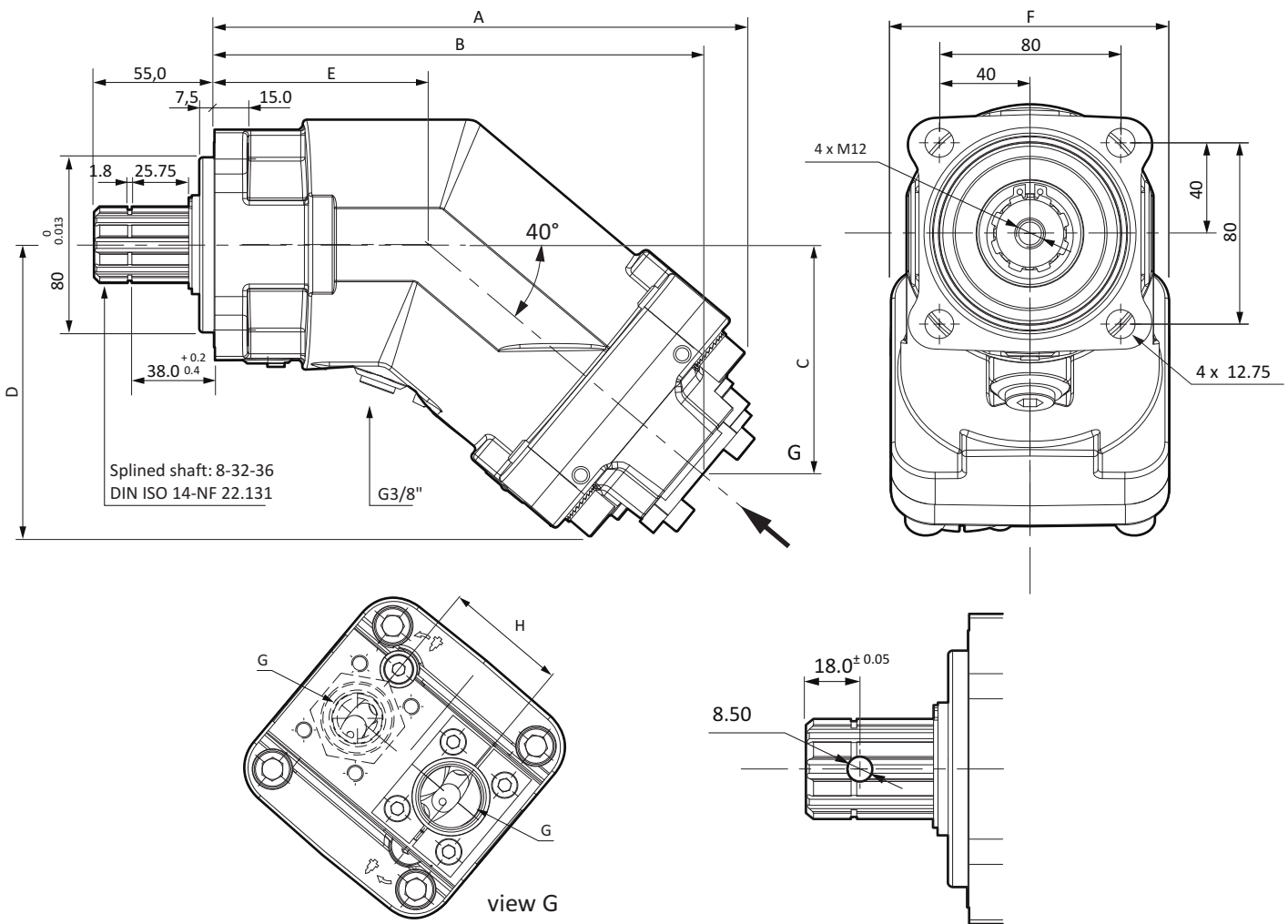
# 2PBA 35 cc



Pump Type	Displacement <sup>cc</sup>	Max. Continuous Pressure <sup>bar</sup>	Min. Intermittent P. Pressure <sup>bar</sup>	Max. Rotating Speed <sup>rpm</sup>	Max. Torque <sup>Nm</sup>	Max. Intermittent Pressure	Weight without inlet fitting <sup>kg</sup>	Weight with inlet fitting <sup>kg</sup>	Torque without inlet fitting <sup>kg</sup>	Torque with inlet fitting <sup>kg</sup>
2PBA 35	34,70	350	400	2500	190	-	10,50	10,90	11,00	11,52

Pump Type	A	B	C	D	E	F	G	H	Fluid	Rotation
2PBA 35	202,00	182,00	82,00	108,00	85,00	108,00	3/4"	54	Mineral based hydraulic oils	CW-CCW

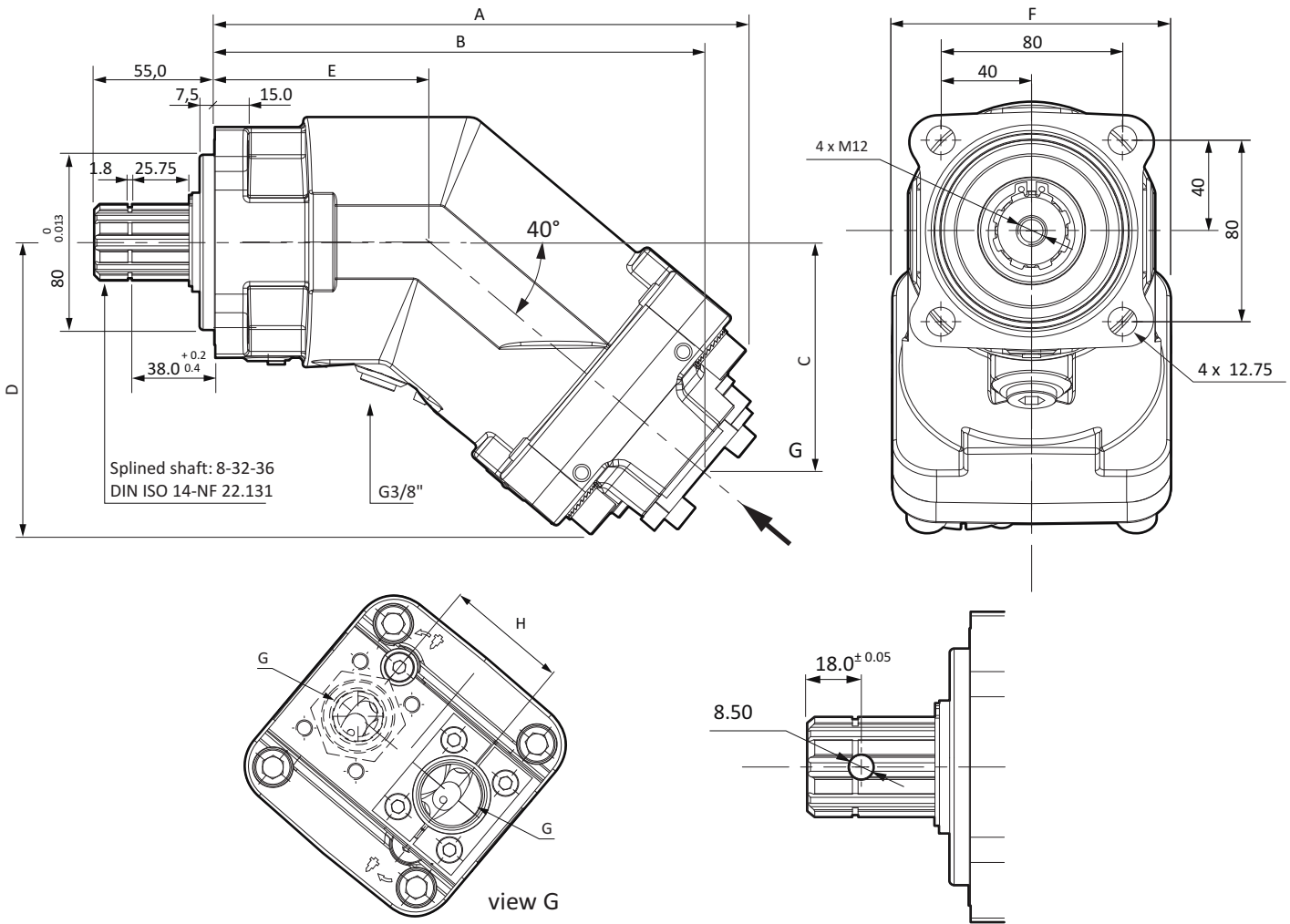
# 2PBA 45 cc



Pump Type	Displacement <sup>cc</sup>	Max. Continuous Pressure <sup>bar</sup>	Min. Intermittent P. Pressure <sup>bar</sup>	Max. Rotating Speed <sup>rpm</sup>	Max. Torque <sup>Nm</sup>	Max. Intermittent Pressure	Weight <sup>kg</sup> without inlet fitting	Weight <sup>kg</sup> with inlet fitting	Torque <sup>kg</sup> without inlet fitting	Torque <sup>kg</sup> with inlet fitting
2PBA 45	42,20	350	400	2400	240	-	10,50	10,90	11,12	11,40

Pump Type	A	B	C	D	E	F	G	H	Fluid	Rotation
2PBA 45	202,00	183,00	82,00	108,00	86,00	108,00	3/4"	54	Mineral based hydraulic oils	CW-CCW

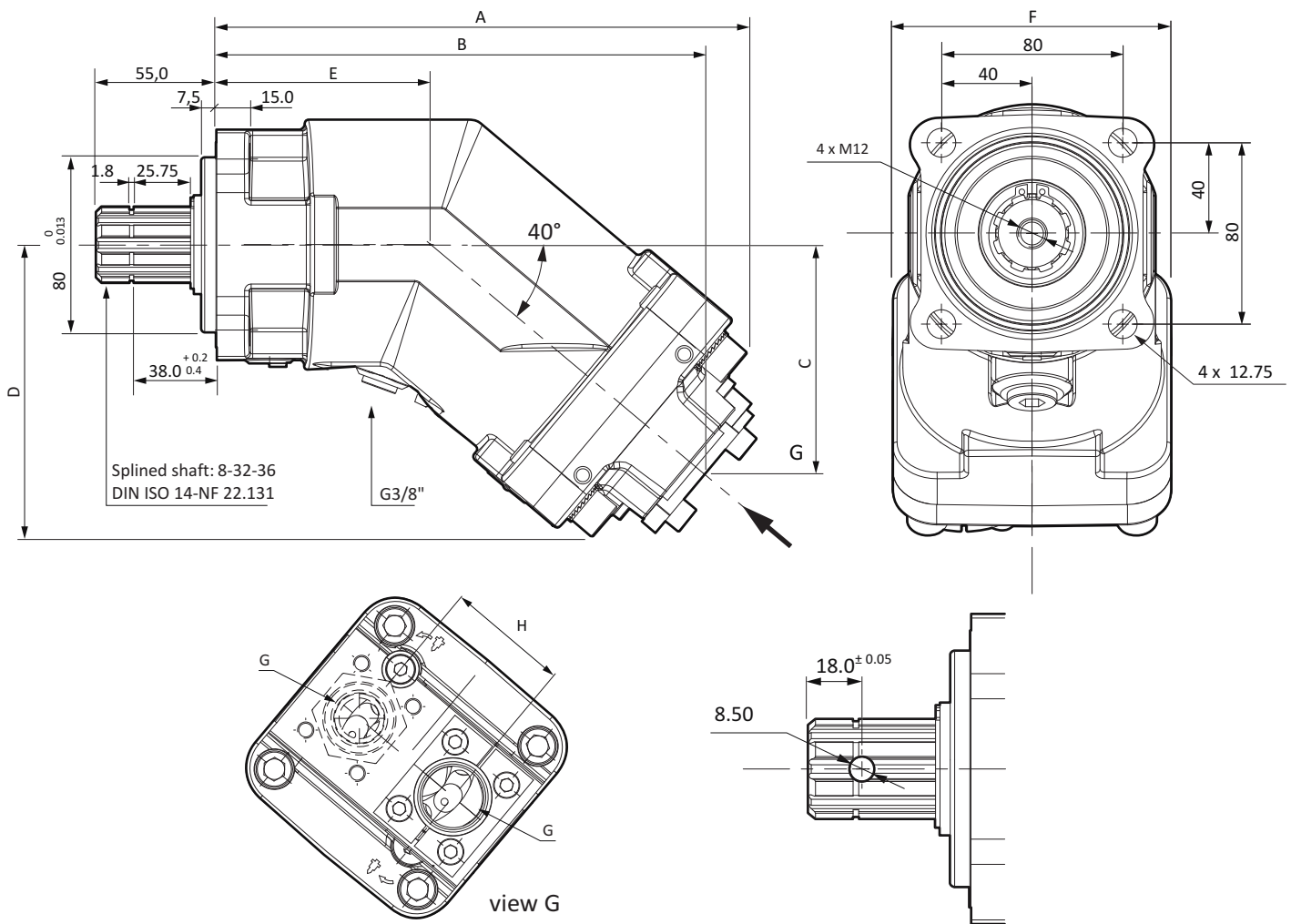
# 2PBA 55 cc



Pump Type	Displacement <sup>cc</sup>	Max. Continuous Pressure <sup>bar</sup>	Min. Intermittent P. Pressure <sup>bar</sup>	Max. Rotating Speed <sup>rpm</sup>	Max. Torque <sup>Nm</sup>	Max. Intermittent Pressure	Weight <sup>kg</sup> without inlet fitting	Weight <sup>kg</sup> with inlet fitting	Torque <sup>kg</sup> without inlet fitting	Torque <sup>kg</sup> with inlet fitting
2PBA 55	54,80	350	400	2400	296	-	11,00	11,40	11,72	12,20

Pump Type	A	B	C	D	E	F	G	H	Fluid	Rotation
2PBA 55	215,00	196,00	94,00	118,00	86,00	108,00	3/4"	54	Mineral based hydraulic oils	CW-CCW

# 2PBA 63 cc

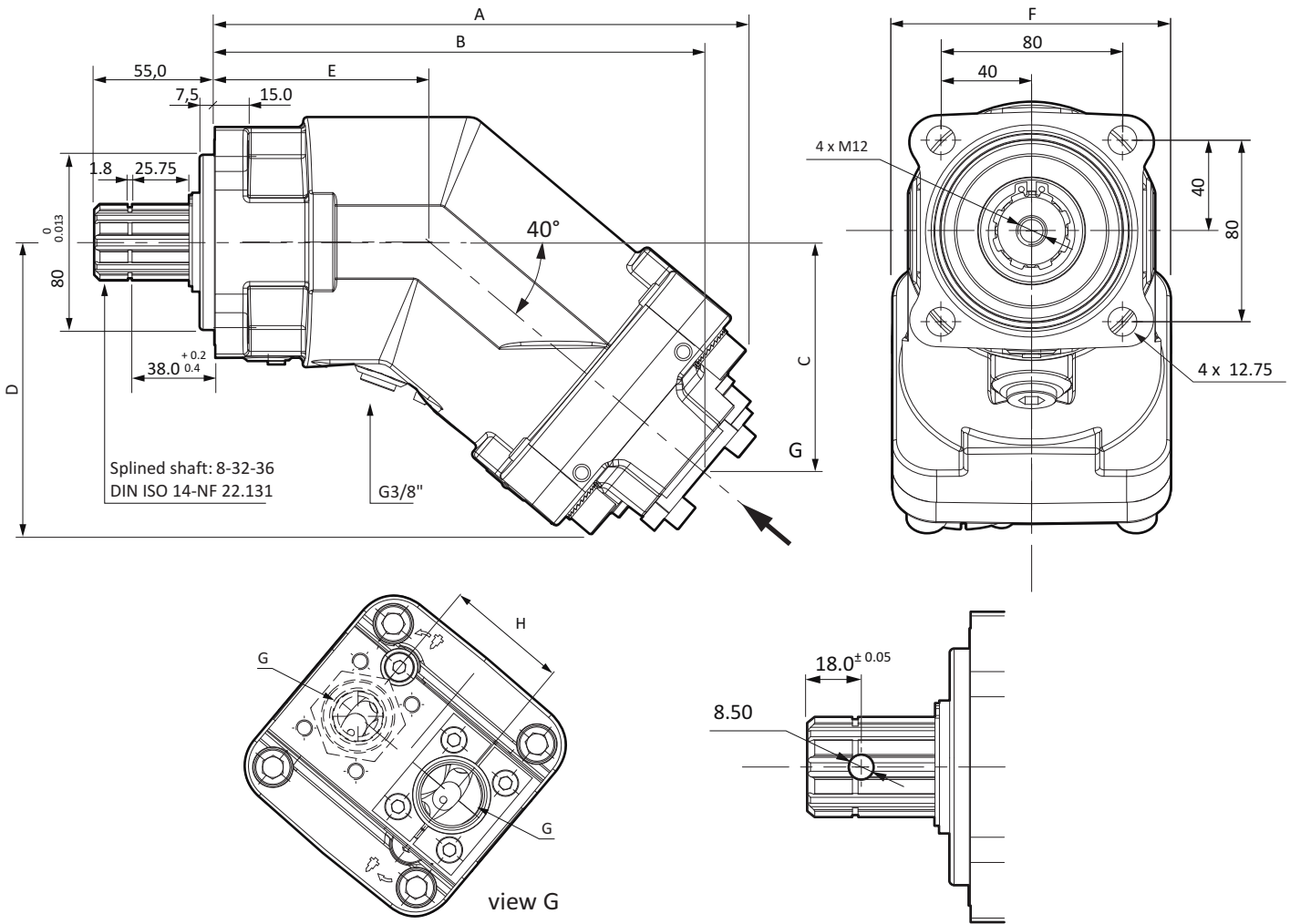


Pump Type	Displacement <sup>cc</sup>	Max. Continuous Pressure <sup>bar</sup>	Min. Intermittent P. Pressure <sup>bar</sup>	Max. Rotating Speed <sup>rpm</sup>	Max. Torque <sup>Nm</sup>	Max. Intermittent Pressure	Weight without inlet fitting <sup>kg</sup>	Weight with inlet fitting <sup>kg</sup>	Torque without inlet fitting <sup>kg</sup>	Torque with inlet fitting <sup>kg</sup>
2PBA 63	67,40	350	400	2200	360	-	11,50	11,90	11,77	12,23

Pump Type	A	B	C	D	E	F	G	H	Fluid	Rotation
2PBA 63	215,00	196,00	94,00	118,00	86,00	108,00	3/4"	54	Mineral based hydraulic oils	CW-CCW



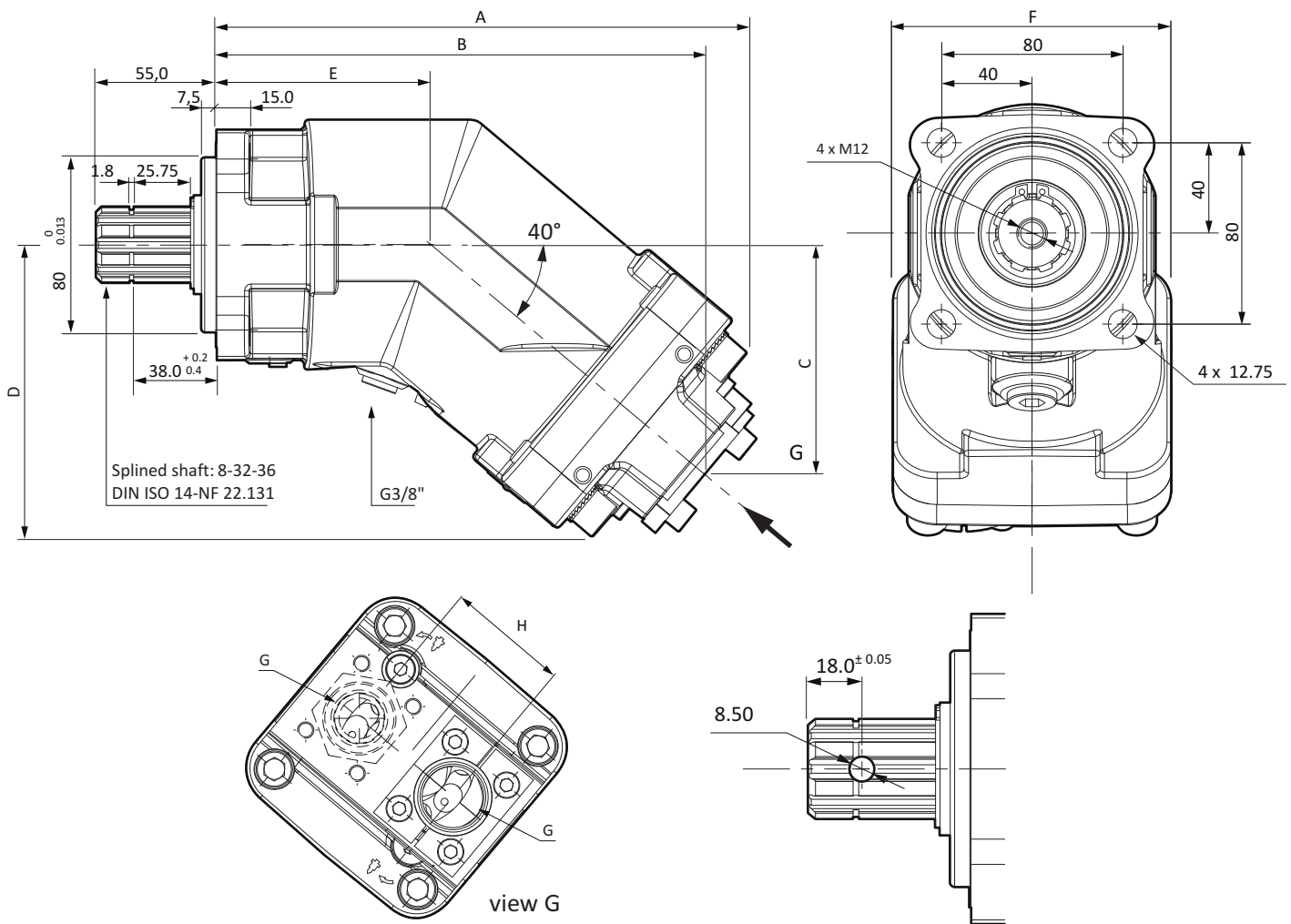
# 2PBA 85 cc



Pump Type	Displacement <sup>cc</sup>	Max. Continuous Pressure <sup>bar</sup>	Min. Intermittent P. Pressure <sup>bar</sup>	Max. Rotating Speed <sup>rpm</sup>	Max. Torque <sup>Nm</sup>	Max. Intermittent Pressure	Weight without inlet fitting <sup>kg</sup>	Weight with inlet fitting <sup>kg</sup>	Torque without inlet fitting <sup>kg</sup>	Torque with inlet fitting <sup>kg</sup>
2PBA 85	85,20	350	400	2250	460	-	15,00	15,40	17,80	18,33

Pump Type	A	B	C	D	E	F	G	H	Fluid	Rotation
2PBA 85	223,00	223,00	105,00	132,00	98,00	122,00	1"	60	Mineral based hydraulic oils	CW-CCW

# 2PBA 108 cc

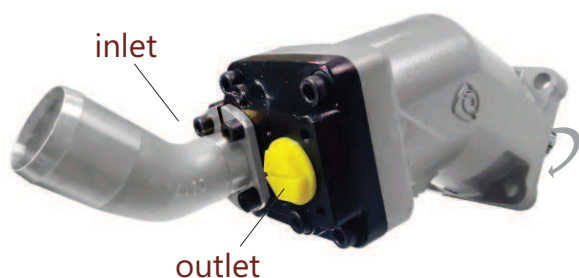


Pump Type	Displacement <sup>cc</sup>	Max. Continuous Pressure <sup>bar</sup>	Min. Intermittent P. Pressure <sup>bar</sup>	Max. Rotating Speed <sup>rpm</sup>	Max. Torque <sup>Nm</sup>	Max. Intermittent Pressure	Weight without inlet fitting <sup>kg</sup>	Weight with inlet fitting <sup>kg</sup>	Torque without inlet fitting <sup>kg</sup>	Torque with inlet fitting <sup>kg</sup>
2PBA 108	108,70	350	400	1900	620	-	15,50	15,90	17,92	18,45

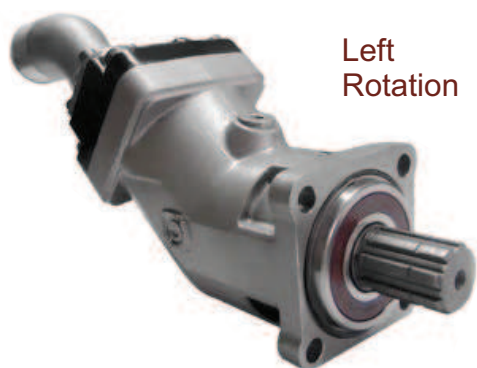
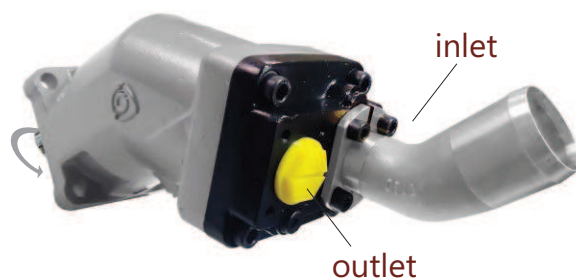
Pump Type	A	B	C	D	E	F	G	H	Fluid	Rotation
2PBA 108	223,00	223,00	105,00	132,00	98,00	122,00	1"	60	Mineral based hydraulic oils	CW-CCW

# Direction of Rotation

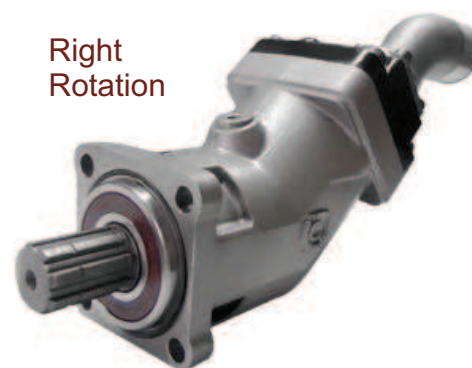
Rotation: CCW



Rotation: CW



Left  
Rotation



Right  
Rotation

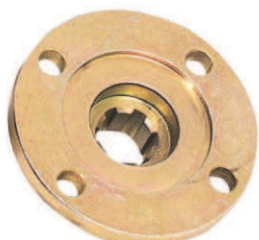
# Accessories of 2PBA Pumps



Suction  
Fittings



ISO - UNI  
Adapters

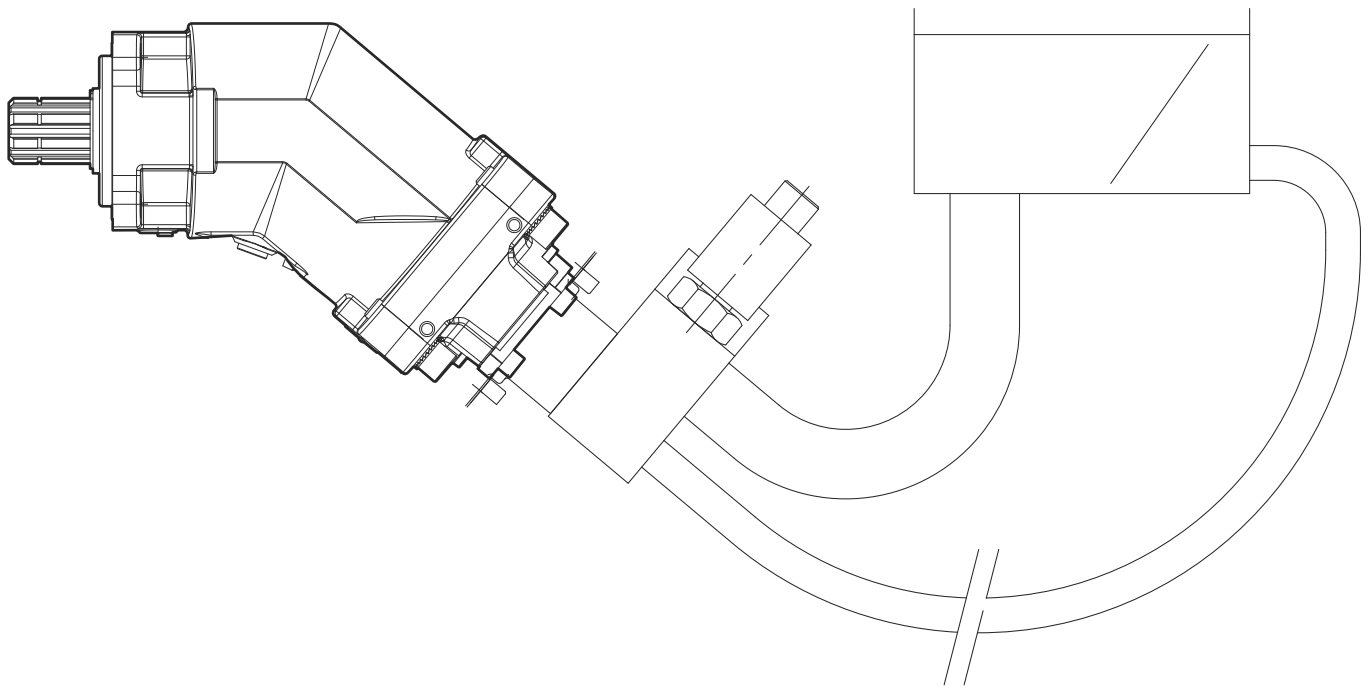


Couplers  
Flanges



By-Pass  
Valve

# Overhang Torque of 2PBA Pumps



Overhang torque of 2PBA pumps

		<b>18</b>	<b>25</b>	<b>35</b>	<b>45</b>	<b>55</b>	<b>63</b>	<b>85</b>	<b>108</b>
<b>weight</b>	<b>without inlet fitting kg</b>	12,65	12,70	14,20	14,55	14,70	14,65	18,35	<b>18,45</b>
	<b>with inlet fitting 2" kg</b>	13,23	13,15	15,35	15,12	15,35	15,13	18,39	<b>19,01</b>
<b>torque</b>	<b>without inlet fitting N.m</b>	16,29	16,34	18,88	19,14	20,25	20,02	27,26	<b>27,30</b>
	<b>with inlet fitting 2" N.m</b>	16,95	17,04	19,55	19,61	20,65	20,72	27,81	<b>27,95</b>