

Design of PA Pumps



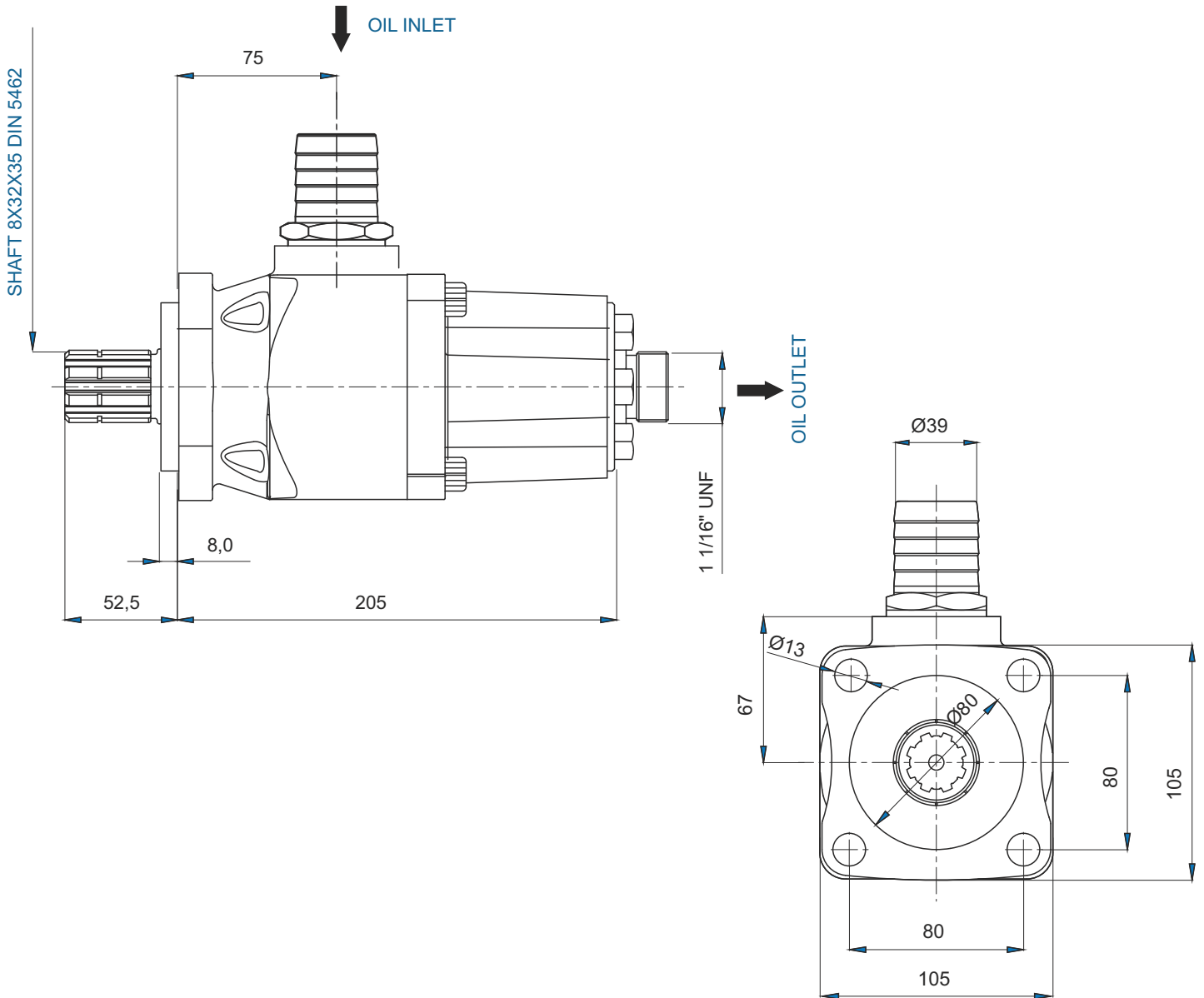
Range and Characteristics



| Pump Type | Displacement ^{cc} | Max. Continuous Speed ^{n(min⁻¹)} | Min. Intermittent Speed ^{n(min⁻¹)} | Max. Intermittent Speed ^{n(min⁻¹)} | Max. Continuous Pressure ^{bar} | Max. Intermittent Pressure ^{bar} | Max. Peak Pressure ^{bar} | Weight without inlet fitting ^{kg} | Weight with inlet fitting ^{kg} |
|-----------|----------------------------|--|--|--|---|---|-----------------------------------|--|---|
| PA 45 | 46,70 | 1800 | 400 | 2400 | 330/4786 | 360/5221 | 500/1251 | 14,70 | 15,10 |
| PA 55 | 54,60 | 1800 | 400 | 2400 | 330/4786 | 360/5221 | 500/1251 | 15,00 | 15,40 |
| PA 80 | 84,50 | 1500 | 300 | 2000 | 300/4351 | 350/5076 | 450/6526 | 19,50 | 19,90 |
| PA 90 | 92,20 | 1500 | 300 | 2000 | 300/4351 | 350/5076 | 450/6526 | 19,71 | 21,10 |

| Pump Type | Oil Inlet | Oil Outlet | Fluid | Rotation |
|-----------|-----------|------------|------------------------------|----------------|
| PA 45 | R1 1/4" | R 1" | Mineral based hydraulic oils | Bi-Directional |
| PA 55 | R1 1/4" | R 1" | Mineral based hydraulic oils | Bi-Directional |
| PA 80 | R1 1/4" | R 1" | Mineral based hydraulic oils | Bi-Directional |
| PA 90 | R1 1/4" | R 1" | Mineral based hydraulic oils | Bi-Directional |

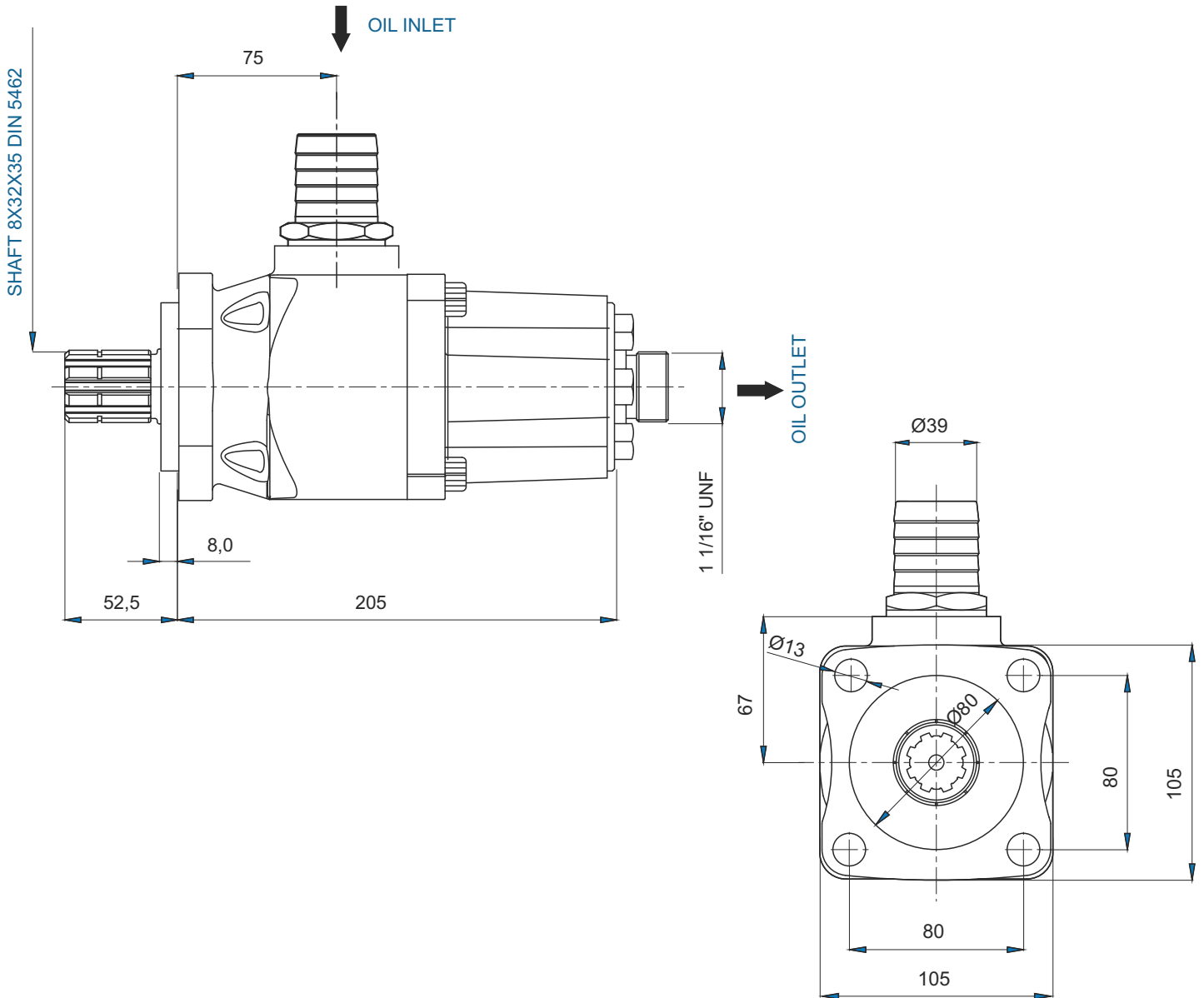
PA 45 cc



| Pump Type | Displacement ^{cc} | Max. Continuous Speed ^{a(min²)} | Min. Intermittent Speed ^{a(min²)} | Max. Intermittent Speed ^{a(min²)} | Max. Continuous Pressure ^{bar} | Max. Intermittent Pressure ^{bar} | Max. Peak Pressure ^{bar} | Weight without inlet fitting ^{kg} | Weight with inlet fitting ^{kg} |
|-----------|----------------------------|---|---|---|---|---|-----------------------------------|--|---|
| PA 45 | 46,70 | 1800 | 400 | 2400 | 330/4786 | 360/5221 | 500/1251 | 14,70 | 15,10 |

| Pump Type | Oil Inlet | Oil Outlet | Fluid | Rotation |
|-----------|-----------|------------|------------------------------|----------------|
| PA 45 | R1 1/4" | R 1" | Mineral based hydraulic oils | Bi-Directional |

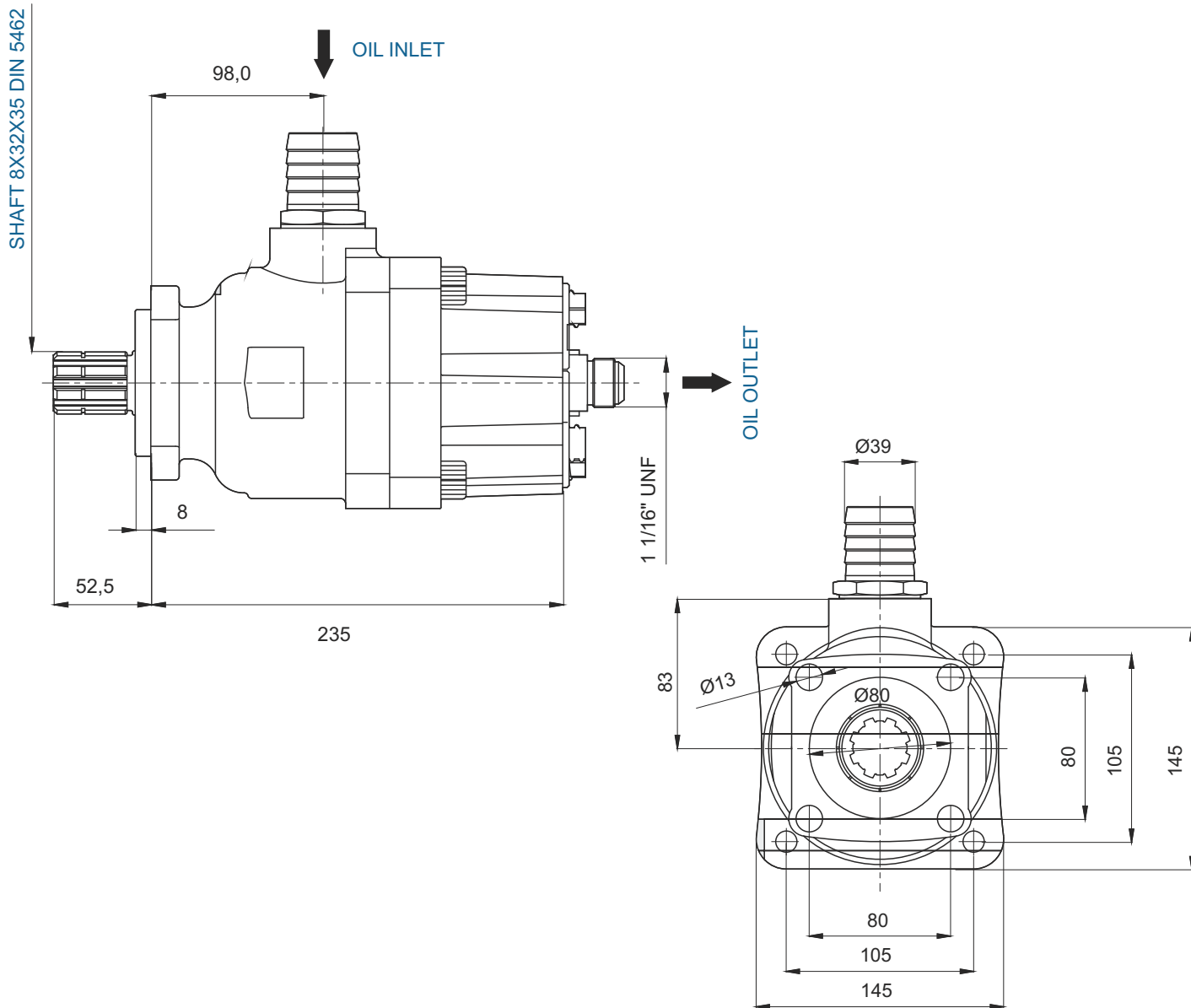
PA 55 cc



| Pump Type | Displacement ^{cc} | Max. Continuous Speed ^{a(min²)} | Min. Intermittent Speed ^{a(min²)} | Max. Intermittent Speed ^{a(min²)} | Max. Continuous Pressure ^{bar} | Max. Intermittent Pressure ^{bar} | Max. Peak Pressure ^{bar} | Weight without inlet fitting ^{kg} | Weight with inlet fitting ^{kg} |
|-----------|----------------------------|---|---|---|---|---|-----------------------------------|--|---|
| PA 55 | 54,60 | 1800 | 400 | 2400 | 330/4786 | 360/5221 | 500/1251 | 15,00 | 15,40 |

| Pump Type | Oil Inlet | Oil Outlet | Fluid | Rotation |
|-----------|-----------|------------|------------------------------|----------------|
| PA 55 | R1 1/4" | R 1" | Mineral based hydraulic oils | Bi-Directional |

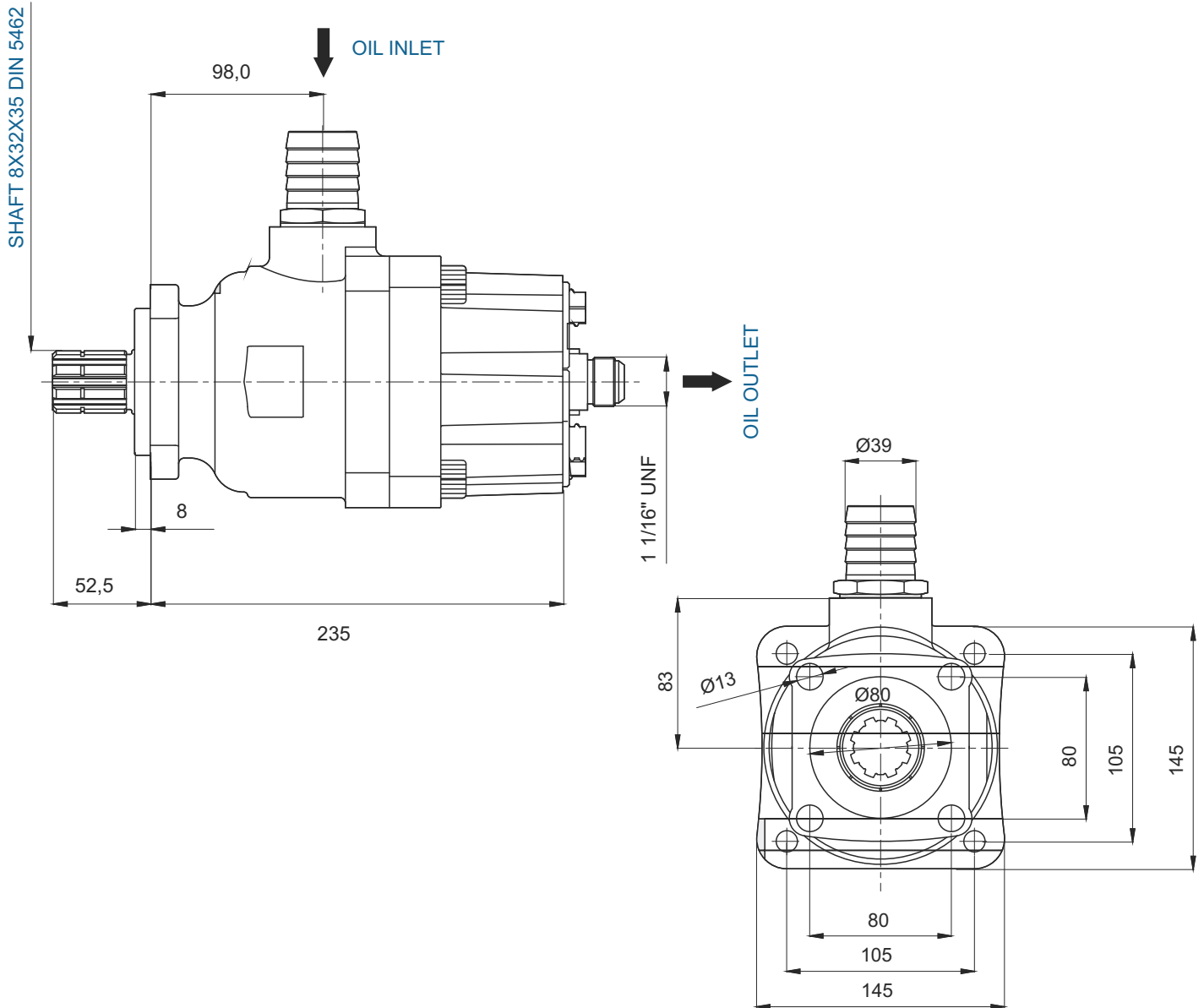
PA 80 cc



| Pump Type | Displacement ^{cc} | Max. Continuous Speed ^{n(min⁻¹)} | Min. Intermittent Speed ^{n(min⁻¹)} | Max. Intermittent Speed ^{n(min⁻¹)} | Max. Continuous Pressure ^{bar} | Max. Intermittent Pressure ^{bar} | Max. Peak Pressure ^{bar} | Weight without inlet fitting ^{kg} | Weight with inlet fitting ^{kg} |
|-----------|----------------------------|--|--|--|---|---|-----------------------------------|--|---|
| PA 80 | 84,50 | 1500 | 300 | 2000 | 300/4351 | 350/5076 | 450/6526 | 19,50 | 19,90 |

| Pump Type | Oil Inlet | Oil Outlet | Fluid | Rotation |
|-----------|-----------|------------|------------------------------|----------------|
| PA 80 | R1 1/4" | R 1" | Mineral based hydraulic oils | Bi-Directional |

PA 90 cc



| Pump Type | Displacement ^{cc} | Max. Continuous Speed ^{n(min⁻¹)} | Min. Intermittent Speed ^{n(min⁻¹)} | Max. Intermittent Speed ^{n(min⁻¹)} | Max. Continuous Pressure ^{bar} | Max. Intermittent Pressure ^{bar} | Max. Peak Pressure ^{bar} | Weight without inlet fitting ^{kg} | Weight with inlet fitting ^{kg} |
|-----------|----------------------------|--|--|--|---|---|-----------------------------------|--|---|
| PA 90 | 92,20 | 1500 | 300 | 2000 | 300/4351 | 350/5076 | 450/6526 | 19,71 | 21,10 |

| Pump Type | Oil Inlet | Oil Outlet | Fluid | Rotation |
|-----------|-----------|------------|------------------------------|----------------|
| PA 90 | R1 1/4" | R 1" | Mineral based hydraulic oils | Bi-Directional |