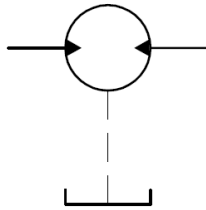


drain conection
($P_{drain} < 0,5 \text{ bar}$)
(Always connect directly
to the tank)

Symbol

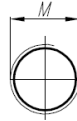


I - variants

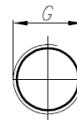
Variants:

- ...X563M - for M ports (see the picture I and the table below);
- ...X563G - for G ports (see the picture I and the table below);
- ...X563U - for U ports (see the picture I and the table below).

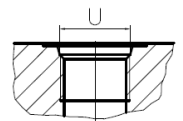
Variant M



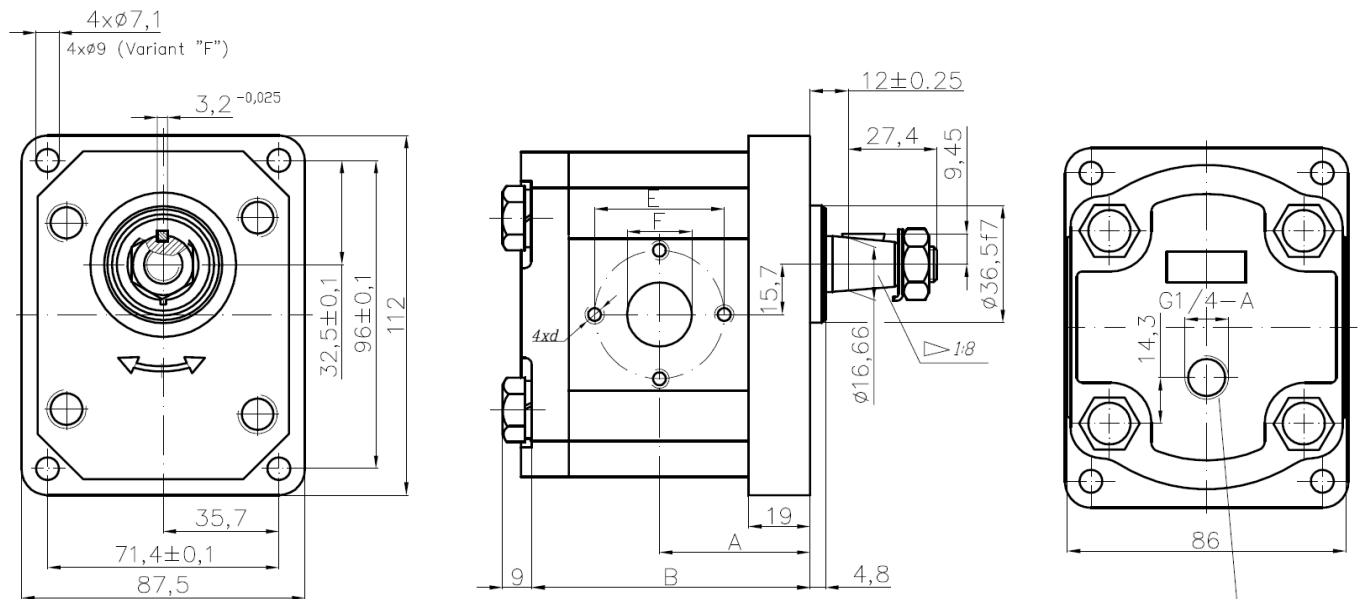
Variant G



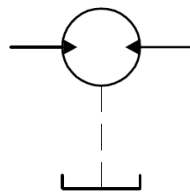
Variant U (SAEJ475 (ISO R725))



Type	Displacement q , [cm ³]	Pressure P_{max} , [bar]	Speed n , [min ⁻¹]	Dimensions							
				A mm	B mm	Inlet			Outlet		
						M mm	G mm	U mm	M mm	G mm	U mm
10MR1,6X563...	1,6	210	750...3500	40,3	83,6±0,1	M16x1,5	G3/8-A	3/4-16UNF-2B	M16x1,5	G3/8-A	3/4-16UNF-2B
10MR2X563...	2	210	750...3500	41,1	85,2±0,1						
10MR2,5X563...	2,5	210	750...3500	42,1	87,2±0,1						
10MR2,65X563...	2,65	210	750...3500	42,4	87,7±0,1	M20x1,5	G1/2-A	3/4-16UNF-2B	M20x1,5	G1/2-A	3/4-16UNF-2B
10MR3,15X563...	3,15	210	750...3500	43,5	89,8±0,1						
10MR3,65X563...	3,65	210	750...3500	44,4	91,9±0,1						
10MR4,2X563...	4,2	210	750...3500	45,5	94,1±0,1	M22x1,5	7/8-14UNF-2B	7/8-14UNF-2B	M22x1,5	7/8-14UNF-2B	7/8-14UNF-2B
10MR4,7X563...	4,7	210	750...3500	46,05	96±0,1						
10MR5X563...	5	210	750...3500	47,1	97,2±0,1						
10MR5,7X563...	5,7	200	750...3000	48,5	100,1±0,1	M22x1,5	7/8-14UNF-2B	7/8-14UNF-2B	M22x1,5	7/8-14UNF-2B	7/8-14UNF-2B
10MR6,1X563...	6,1	200	750...3000	49,4	101,8±0,1						
10MR7,4X563...	7,4	180	750...2500	52,1	107,2±0,1						
10MR8X563...	8	150	750...2500	53,4	109,7±0,1	M22x1,5	7/8-14UNF-2B	7/8-14UNF-2B	M22x1,5	7/8-14UNF-2B	7/8-14UNF-2B
10MR8,5X563...	8,5	150	750...2500	54,4	111,7±0,1						
10MR9,8X563...	9,8	120	750...2000	57	117±0,1						

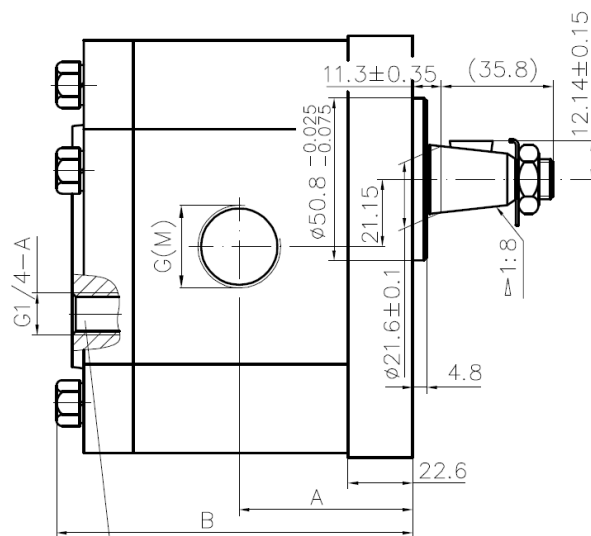
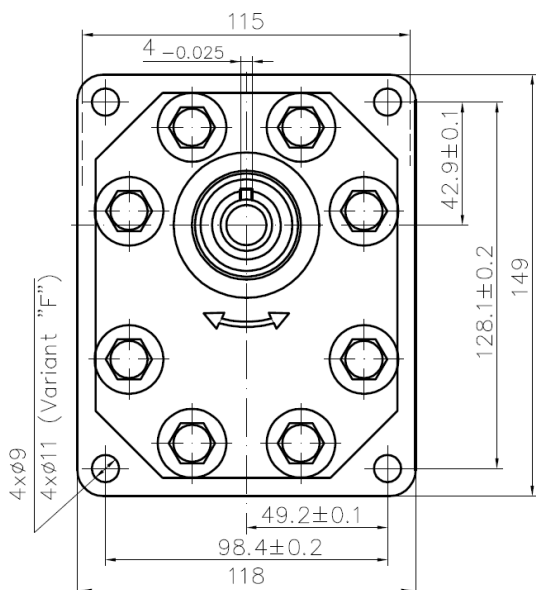


Symbol



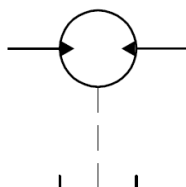
Type for 4xØ9:
20MR...X546F

Type	Displacement q, [cm ³]	Pressure P _{max} , [bar]	Speed n, [min ⁻¹]	Dimensions							
				A mm	B mm	Inlet			Outlet		
						E mm	F mm	d mm	E mm	F mm	d mm
20MR6,3X546	6,3	200	650...3500	44	83±0,1	30,2±0,1	13,1±0,1	M6-6H	30,2±0,1	13,1±0,1	M6-6H
20MR8,2X546	8,2	200	650...3500	45,5	85,9±0,1						
20MR10X546	10	200	650...3500	47	89±0,1						
20MR11X546	11	200	650...3500	48	91,1±0,1	39,7±0,1	19±0,1	M8-6H	39,7±0,1	19±0,1	M8-6H
20MR12X546	12	200	650...3500	48,6	92,3±0,1						
20MR14X546	14	200	650...3500	50	95,4±0,1						
20MR15X546	15	200	650...3500	51	96,9±0,1						
20MR16X546	16	200	650...3500	52	98,6±0,1						
20MR19X546	19	180	650...2500	54	103,5±0,1						
20MR22X546	22	180	650...2500	57	108,5±0,1	30,2±0,1	13,1±0,1	M6-6H	30,2±0,1	13,1±0,1	M6-6H
20MR25X546	25	160	650...2000	59,2	113,4±0,1						
20MR14X546A	14	200	650...3500	50	95,4±0,1						



drain connection ($P_{\text{drain}} < 0,5 \text{ bar}$)
(Always connect directly to the tank)

Symbol



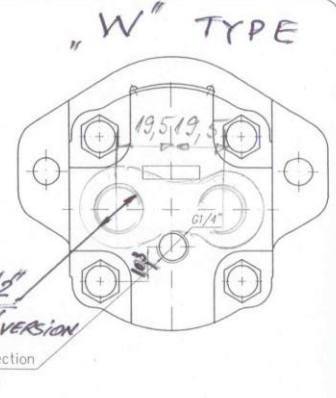
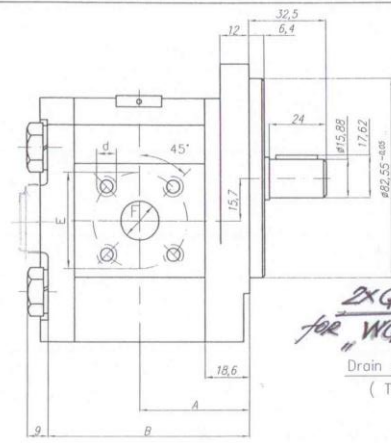
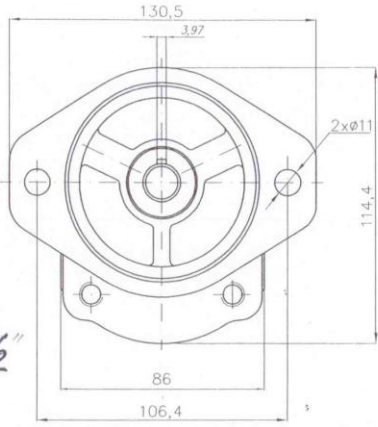
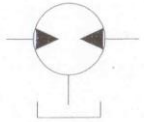
Type for 4xφ11:
30MR...X568HG(M)F

Type	Displacement cm ³	Pressure Pmax, [bar]	Speed n [min ⁻¹]	Dimensions					
				A	B	Inlet		Outlet	
						M	G	M	G
				mm		mm	"	mm	"
30MR22.5X568HG(M)	22.5	200	500 ... 2500	57.6	119.7	M27x1.5	G3/4-A	M27x1.5	G3/4-A
30MR25X568HG(M)	25	200	500 ... 2500	58.3	121.1	M27x1.5	G3/4-A	M27x1.5	G3/4-A
30MR28X568HG(M)	28	200	500 ... 2500	60.2	124.7	M27x1.5	G3/4-A	M27x1.5	G3/4-A
30MR32X568HG(M)	32	200	500 ... 2500	66.5	137.3	M33x1.5	G1-A	M33x1.5	G1-A
30MR36X568HG(M)	36	200	500 ... 2300	68	140.5	M33x1.5	G1-A	M33x1.5	G1-A
30MR42X568HG(M)	42	200	500 ... 2300	70.8	146.1	M33x1.5	G1-A	M33x1.5	G1-A
30MR46X568HG(M)	46	200	500 ... 2100	72.7	149.8	M33x1.5	G1-A	M33x1.5	G1-A
30MR50X568HG(M)	50	200	500 ... 2100	74.5	153.4	M33x1.5	G1-A	M33x1.5	G1-A
30MR55X568HG(M)	55	200	500 ... 1750	76.7	157.9	M33x1.5	G1-A	M33x1.5	G1-A
30MR60X568HG(M)	60	180	500 ... 1750	78.7	162.4	M33x1.5	G1-A	M33x1.5	G1-A

20MR...X553...

- ...X553 - Normal version (flanges)
- ...X553M - for "M" ports
- ...X553G - for "G" ports
- ...X553U - for "U" ports

*... X553 WG1 - for "W" TYPE
in = out = G1/2"*



VARIANTS (M; G; U)



Type Typ Тип	Displacement Ёмкостной объём Рабочий объём q, [см³]	Pressure Давление Рном, [МПа]	Frequency Drehzahl Обороты n, [мин⁻¹]	Dimensions Abmessungen Размеры													
				Inlet Saugseite Einog						Outlet Druckseite Ausog							
				A	B	E	F	d	M	G	U	E	F	d	M	G	U
* (20MR4,5X553...)	* 4,5	20	650...3500	41,4	79,6	35±0,1	15±0,1	M6-6H	M20x1,5	G1/2"	1 1/16" - 12 UNF	35±0,1	15±0,1	M6-6H	M20x1,5	G1/2"	1 1/16" - 12 UNF
20MR6,3X553...	6,3			42,6	82,6												
20MR8,2X553...	8,2			44,7	85,5												
20MR10X553...	10			49,1	88,6												
20MR11X553...	11			49,1	90,7												
20MR12X553...	12			49,1	91,9												
20MR14X553...	14			49,1	95												
20MR15X553...	15			49,1	96,5												
20MR16X553...	16			49,1	98,2												
20MR19X553...	19			18	650...2500												
20MR22X553...	22	56,6	108,1														
20MR25X553...	25	16	650...2000	58,8	113												

20MR...X086

