

DC SERVOMOTORS TYPE 2MTA

TECHNICAL DATA

| | | |
|-------------------------------------|-------------------|-------|
| Continuous stall torque, M_{g_0} | Nm | 13 |
| Maximum torque, M_{max} | Nm | 80 |
| Maximum speed, n_{max} | min^{-1} | 1500 |
| Moment of inertia, J | kg.m^2 | 0.019 |
| Maximum voltage, U_{max} | V | 100 |
| Continuous stall current, I_{g_0} | A | 26 |
| Weight | kg | 30 |



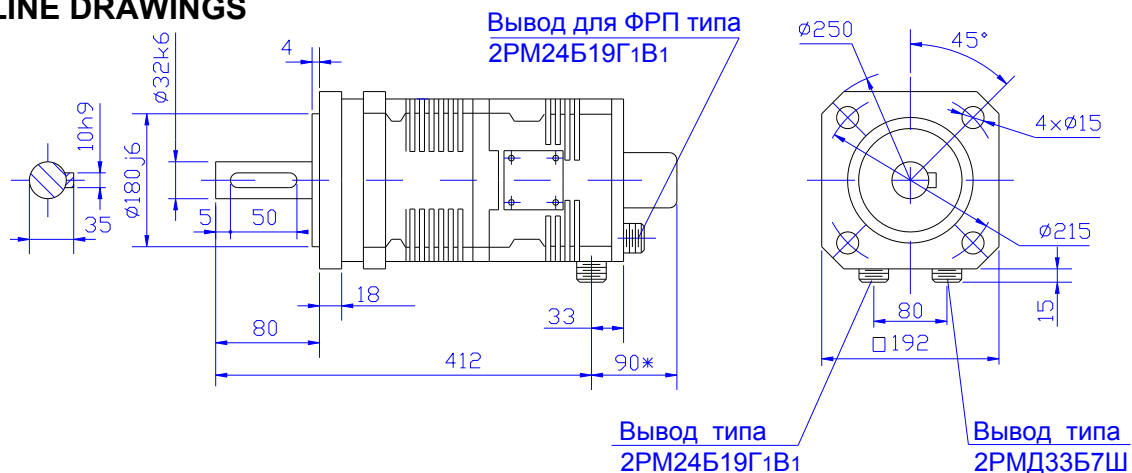
Feedback packages: built-in tachogenerators on the motor shaft - voltage constant; built-in thermal protection sensor. Options available:

C - built-in fail-safe gapeless electromagnetic brake with additional length 40-60mm.

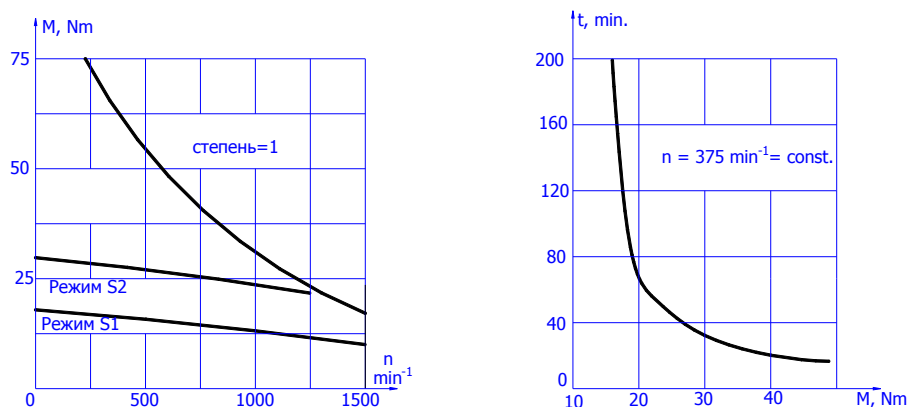
P - built-in RB-2 (number of poles two) or RB-10 (number of poles ten) type brushless resolver and multiplier 1:2.5 or 1:5

K - pulsecoder with 2000 or 2500 impulsess/rev.

OUTLINE DRAWINGS



CHARACTERISTICS – TORQUE – SPEED / HEAT RESISTANCE.



Produces: Automotive Alternators and Starters; DC electric Motors with permanent magnets and electric magnet excitation; Complete main drives of numerically controlled machine tools, for driving of machines, equipments, manipulators, automation and mechanization systems of technological processes; Portable boring and welding machine.